

EIGER LED 1-S FIXED DOWNLIGHT

TRUE COLOUR CRI 98 | IP65

DLD/EIG1-S-R-F

DLD
CONTRACT



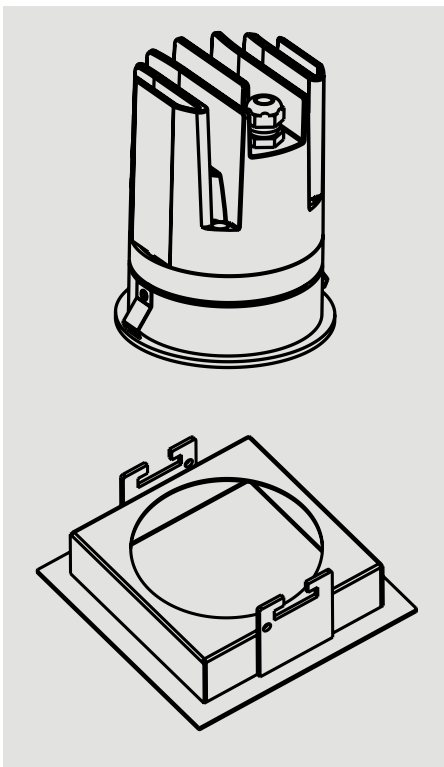
DETAILS

Type	Fixed
IP Rating	IP65
IP Zone	Zone 1
Class	I
Standards	CE
Fire Rated	60+ minutes
Material	Aluminium
Cable	2 Core 0.5mm ²
Cable Length	400mm
Warranty	5 Years

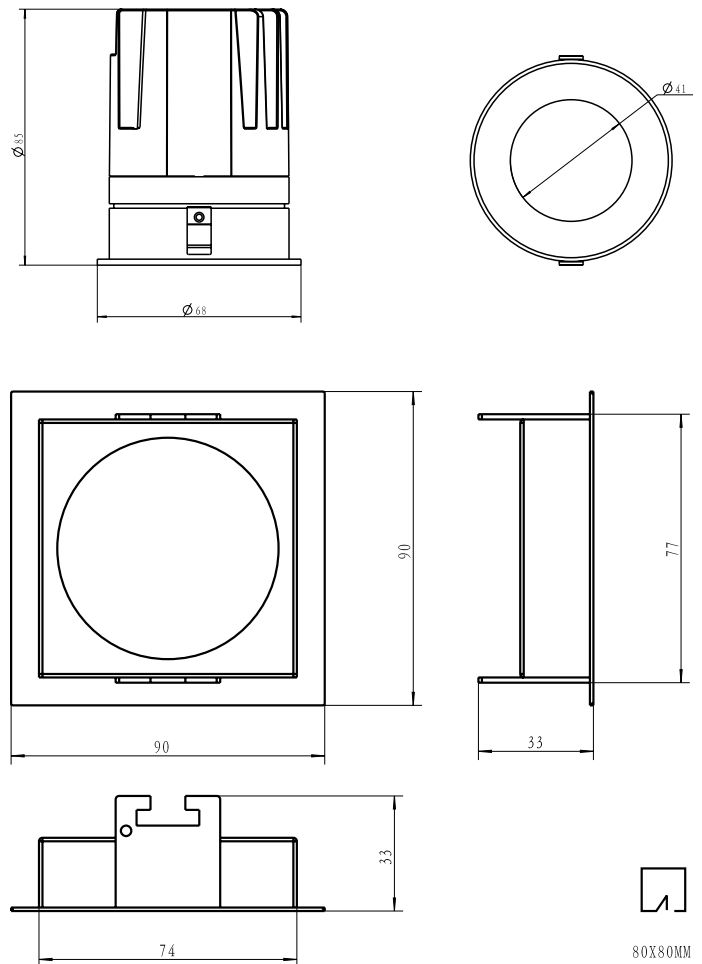
KEY POINTS

- True Colour CRI 98, amazingly high level of colour rendering
- R9 95, reds are redder than ever
- Simple access to the light engine for easy maintenance
- Dim to dark with our range of fully tested drivers

DIMENSIONS



Light Engine:	Ø68mm, H.85mm
Aperture:	Ø41mm
Frame:	90mm x 90mm H.33mm
Total Height:	105mm
Cutout:	80mm x 80mm



TRUE COLOUR CRI 98

EIGER LED 1-S FIXED DOWNLIGHT

TRUE COLOUR CRI 98 | IP65

DLD/EIG1-S-R-F

DLD
CONTRACT

PRODUCT CODE CONSTRUCTION

PRODUCT CODE PREFIX	FINISH	LIGHT TEMP. CCT	BEAM ANGLE	DRIVER
DLD/EIG1-S-R-F	W	27K	24D	MD
<small>SHAPE APPLICATION VERSION</small>				
R Round P Plaster In A Adj.	W White	27K 2700K	15D 15°	No driver
S Square R Recessed F Fixed	B Black	30K 3000K	24D 24°	MD TRIAC dim.
		40K 4000K	36D 36°	010 0-10V dim.
				D DALI dim.

SPECIFICATION

	2700K			3000K			4000K		
BEAM ANGLE	15°	24°	36°	15°	24°	36°	15°	24°	36°
Delivered lumens*	741 lm	728 lm	715 lm	819 lm	806 lm	780 lm	Available On Request		
*(Tc 85°C, +/-7%)									
Efficacy Lm/W	57	56	55	63	62	60	Available On Request		
Binning SDCM (Hot)	2								
CRI	98								
R9	95								
TM30 Rf Rg	Rf 95 Rg 95								
LED Type	Luminus XNova™ Generation 2 CXM-9 COB LED								
LED Lifetime (Ave.)	50,000 hrs								
POWER									
Wattage	13W								
Voltage	220-240V								
Current	350mA								
DRIVER									
Supported Protocols	Mains Dim / TRIAC / 0-10V / DALI / Bluetooth								
Dim to Dark	0.1% Lux								
Distance from Luminaire	20m maximum								
Wiring	Series								
Emergency	Emergency packs available								

 **01189 889414**

 **enquiries@dld-contract.co.uk**

 **dld-contract.co.uk**

DLD Contract Ltd
Unit 9 Brookside Business Centre
Church Road
Swallowfield
Reading
Berkshire
RG7 1TH