

# EIGER MINI LED 1-R PLASTER IN DOWNLIGHT

TRUE COLOUR CRI 98 | IP65

DLD/EIGMINI1-R-P-F

**DLD**  
CONTRACT



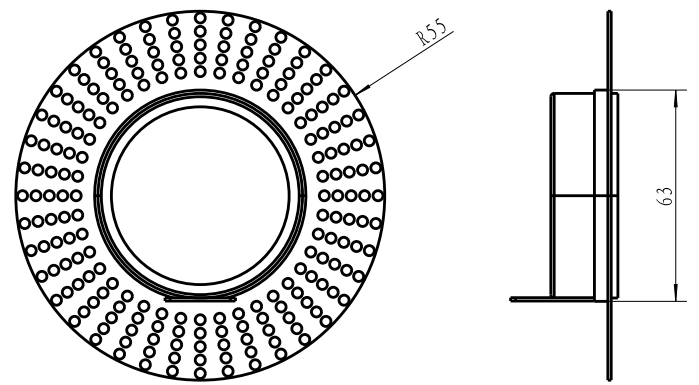
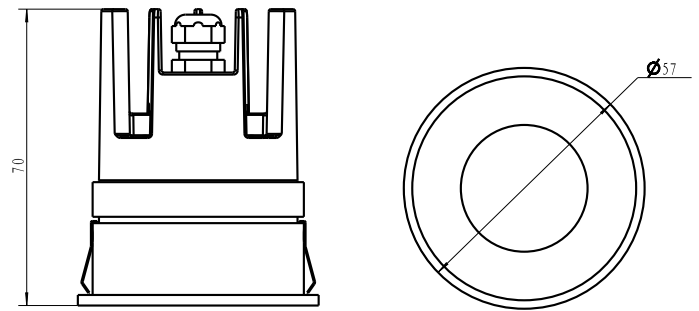
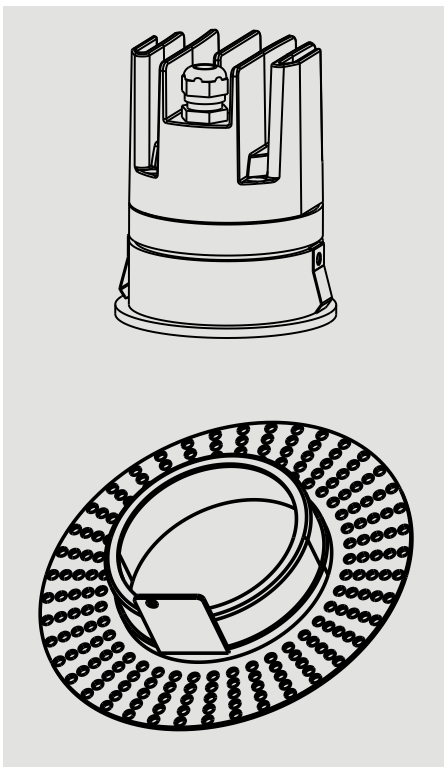
## DETAILS

|              |                           |
|--------------|---------------------------|
| Type         | Adjustable 24°            |
| IP Rating    | IP65                      |
| IP Zone      | Zone 1                    |
| Class        | I                         |
| Standards    | CE                        |
| Fire Rated   | 60+ minutes               |
| Material     | Aluminium                 |
| Cable        | 2 Core 0.5mm <sup>2</sup> |
| Cable Length | 400mm                     |
| Warranty     | 5 Years                   |

## KEY POINTS

- True Colour CRI 98, amazingly high level of colour rendering
- R9 95, reds are redder than ever
- Simple access to the light engine for easy maintenance
- Dim to dark with our range of fully tested drivers

## DIMENSIONS



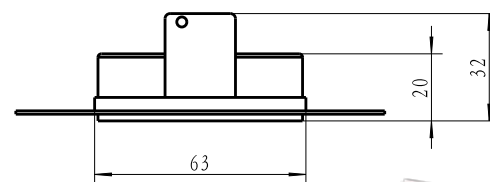
**Light Engine:** Ø57mm, H.70mm

**Aperture:** Ø30mm

**Plaster Kit:** Ø110mm H.32mm

**Total Height:** 87mm

**Cutout:** Ø68mm



TRUE COLOUR 98 CRI

# EIGER MINI LED 1-R PLASTER IN DOWNLIGHT

TRUE COLOUR CRI 98 | IP65

DLD/EIGMINI1-R-P-F



## PRODUCT CODE CONSTRUCTION

| PRODUCT CODE PREFIX  | FINISH                           | LIGHT TEMP. CCT  | BEAM ANGLE   | DRIVER   |
|--|----------------------------------|--|--|--|
| <b>DLD/EIGMINI1-R-P-F</b>  | <b>W</b>                         | <b>27K</b>   | <b>24D</b>   | <b>TRI</b>   |
| <small>SHAPE APPLICATION VERSION</small><br><b>R</b> Round <b>P</b> Plaster In <b>A</b> Adj.<br><b>S</b> Square <b>T</b> Trim <b>F</b> Fixed | <b>W</b> White<br><b>B</b> Black | <b>27K</b> 2700K<br><b>30K</b> 3000K<br><b>40K</b> 4000K | <b>15D</b> 15°<br><b>24D</b> 24°<br><b>36D</b> 36° | <b>NON</b> No driver<br><b>TRI</b> TRIAC dim.<br><b>0/10V</b> 0-10V dim.<br><b>DAL</b> DALI dim. |

## SPECIFICATION

|                         | 2700K  |        |        | 3000K  |        |        | 4000K  |        |        |
|-------------------------|--|--------|--------|--------|--------|--------|--------|--------|--------|
| <b>BEAM ANGLE</b>       | 15°  | 24°    | 36°    | 15°    | 24°    | 36°    | 15°    | 24°    | 36°    |
| Delivered lumens*       | 403 lm   | 425 lm | 409 lm | 403 lm | 425 lm | 409 lm | 403 lm | 425 lm | 409 lm |
| *(Tc 85°C, +/-7%)       |  |        |        |        |        |        |        |        |        |
| Efficacy Lm/W           | TBC  | TBC    | TBC    | TBC    | TBC    | TBC    | TBC    | TBC    | TBC    |
| Luminaire Cd            | TBC  | TBC    | TBC    | TBC    | TBC    | TBC    | TBC    | TBC    | TBC    |
| Binning SDCM (Hot)      | 2  |        |        |        |        |        |        |        |        |
| CRI                     | 98   |        |        |        |        |        |        |        |        |
| R9                      | 95   |        |        |        |        |        |        |        |        |
| TM30 Rf Rg              | Rf 95 Rg 95  |        |        |        |        |        |        |        |        |
| UGR                     | TBC  |        |        |        |        |        |        |        |        |
| LED Type                | Luminus XNova™ Generation 2 CXM-9 COB LED 2 Step MacAdam |        |        |        |        |        |        |        |        |
| LED Lifetime (Ave.)     | 50,000 hrs   |        |        |        |        |        |        |        |        |
| <b>POWER</b>            |  |        |        |        |        |        |        |        |        |
| Wattage                 | 7.7W   |        |        |        |        |        |        |        |        |
| Voltage                 | 220-240V   |        |        |        |        |        |        |        |        |
| Current                 | 180mA  |        |        |        |        |        |        |        |        |
| <b>DRIVER</b>           |  |        |        |        |        |        |        |        |        |
| Supported Protocols     | Mains Dim / TRIAC / 0-10V / DALI / Bluetooth             |        |        |        |        |        |        |        |        |
| Dim to Dark             | 0.1% Lux   |        |        |        |        |        |        |        |        |
| Distance from Luminaire | 20m maximum  |        |        |        |        |        |        |        |        |
| Wiring                  | Series   |        |        |        |        |        |        |        |        |
| Emergency               | Emergency packs available                                |        |        |        |        |        |        |        |        |

01189 889414

[enquiries@dld-contract.co.uk](mailto:enquiries@dld-contract.co.uk)

[dld-contract.co.uk](http://dld-contract.co.uk)

DLD Contract Ltd  
 Unit 9 Brookside Business Centre  
 Church Road  
 Swallowfield  
 Reading  
 Berkshire  
 RG7 1TH