

# EIGER LED 1-S ADJUSTABLE DOWNLIGHT

TRUE COLOUR CRI 98 | IP54

DLD/EIG1-S-T-A

**DLD**  
CONTRACT



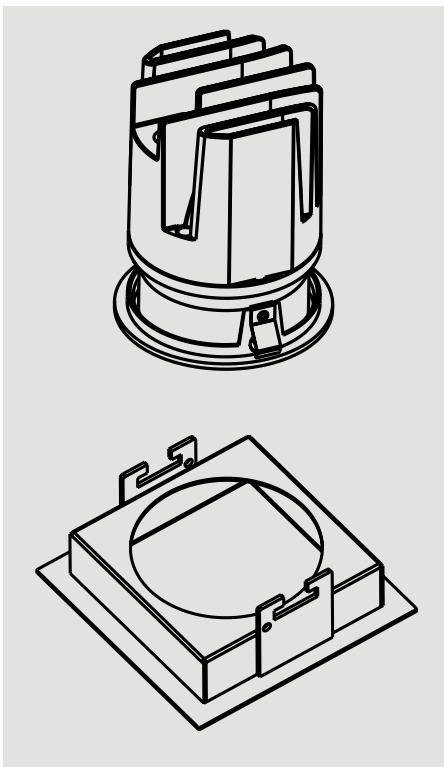
## DETAILS

Type	Adjustable 24°
IP Rating	IP54
IP Zone	Zone 2
Class	I
Standards	CE
Fire Rated	60+ minutes
Material	Aluminium
Cable	2 Core 0.5mm <sup>2</sup>
Cable Length	400mm
Warranty	5 Years

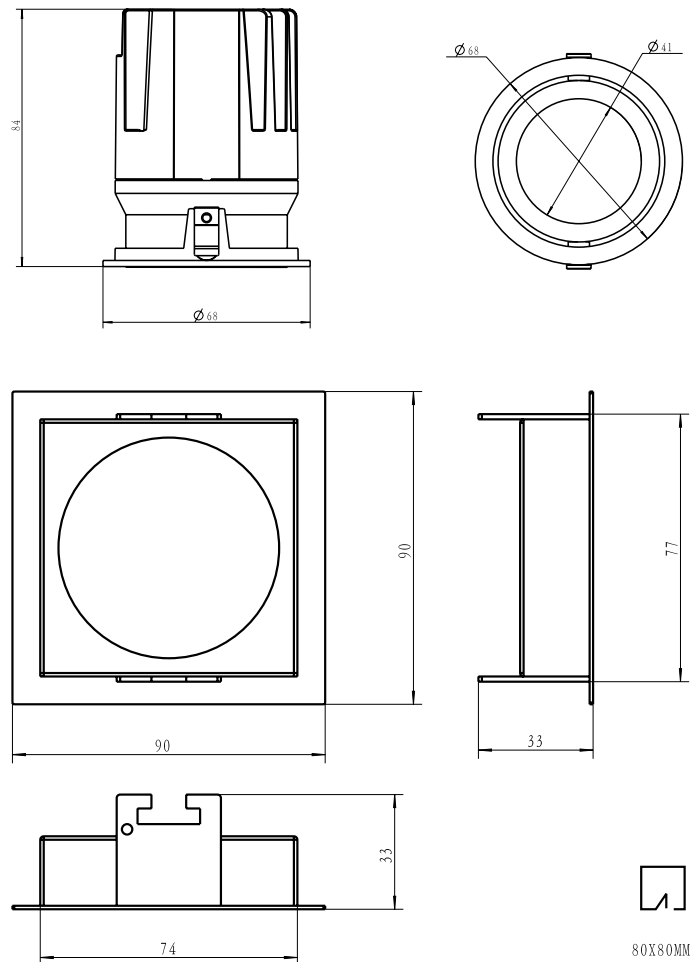
## KEY POINTS

- True Colour CRI 98, amazingly high level of colour rendering
- R9 95, reds are redder than ever
- Simple access to the light engine for easy maintenance
- Dim to dark with our range of fully tested drivers

## DIMENSIONS



<b>Light Engine:</b>	Ø68mm, H.85mm
<b>Aperture:</b>	Ø41mm
<b>Frame:</b>	90mm x 90mm H.33mm
<b>Total Height:</b>	105mm
<b>Cutout:</b>	80mm x 80mm



TRUE COLOUR CRI 98

# EIGER LED 1-S ADJUSTABLE DOWNLIGHT

TRUE COLOUR CRI 98 | IP54

DLD/EIG1-S-T-A



## PRODUCT CODE CONSTRUCTION

PRODUCT CODE PREFIX	FINISH	LIGHT TEMP. CCT	BEAM ANGLE	DRIVER
<b>DLD/EIG1-S-T-A</b>	<b>W</b>	<b>27K</b>	<b>24D</b>	<b>TRI</b>
<small>SHAPE APPLICATION VERSION</small> <b>R</b> Round <b>P</b> Plaster In <b>A</b> Adj. <b>S</b> Square <b>T</b> Trim <b>F</b> Fixed	<b>W</b> White <b>B</b> Black	<b>27K</b> 2700K <b>30K</b> 3000K <b>40K</b> 4000K	<b>15D</b> 15° <b>24D</b> 24° <b>36D</b> 36°	<b>NON</b> No driver <b>TRI</b> TRIAC dim. <b>0/10V</b> 0-10V dim. <b>DAL</b> DALI dim.

## SPECIFICATION

	2700K			3000K			4000K		
<b>BEAM ANGLE</b>	15°	24°	36°	15°	24°	36°	15°	24°	36°
Delivered lumens*	789 lm	828 lm	853 lm	789 lm	828 lm	853 lm	789 lm	828 lm	853 lm
*(Tc 85°C, +/-7%)									
Efficacy Lm/W	TBC	TBC	TBC	TBC	TBC	TBC	TBC	TBC	TBC
Luminaire Cd	TBC	TBC	TBC	TBC	TBC	TBC	TBC	TBC	TBC
Binning SDCM (Hot)	2								
CRI	98								
R9	95								
TM30 Rf Rg	Rf 95 Rg 95								
UGR	TBC								
LED Type	Luminus XNova™ Generation 2 CXM-9 COB LED								
LED Lifetime (Ave.)	50,000 hrs								
<b>POWER</b>									
Wattage	13W								
Voltage	220-240V								
Current	350mA								
<b>DRIVER</b>									
Supported Protocols	Mains Dim / TRIAC / 0-10V / DALI / Bluetooth								
Dim to Dark	0.1% Lux								
Distance from Luminaire	20m maximum								
Wiring	Series								
Emergency	Emergency packs available								

01189 889414

[enquiries@dld-contract.co.uk](mailto:enquiries@dld-contract.co.uk)

[dld-contract.co.uk](http://dld-contract.co.uk)

DLD Contract Ltd  
 Unit 9 Brookside Business Centre  
 Church Road  
 Swallowfield  
 Reading  
 Berkshire  
 RG7 1TH