

EIGER LED 1-S PLASTER IN FIXED DOWNLIGHT

TRUE COLOUR CRI 98 | IP65

DLD/EIG1-S-P-F

DLD
CONTRACT



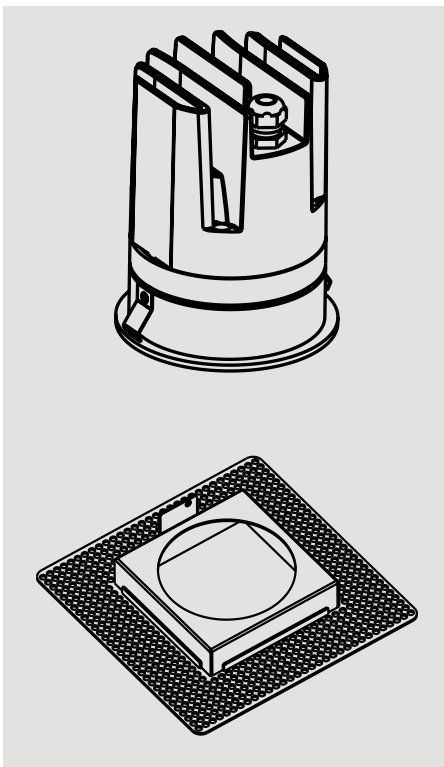
DETAILS

Type	Fixed
IP Rating	IP65
IP Zone	Zone 1
Class	I
Standards	CE
Fire Rated	60+ minutes
Material	Aluminium
Cable	2 Core 0.5mm ²
Cable Length	400mm
Warranty	5 Years

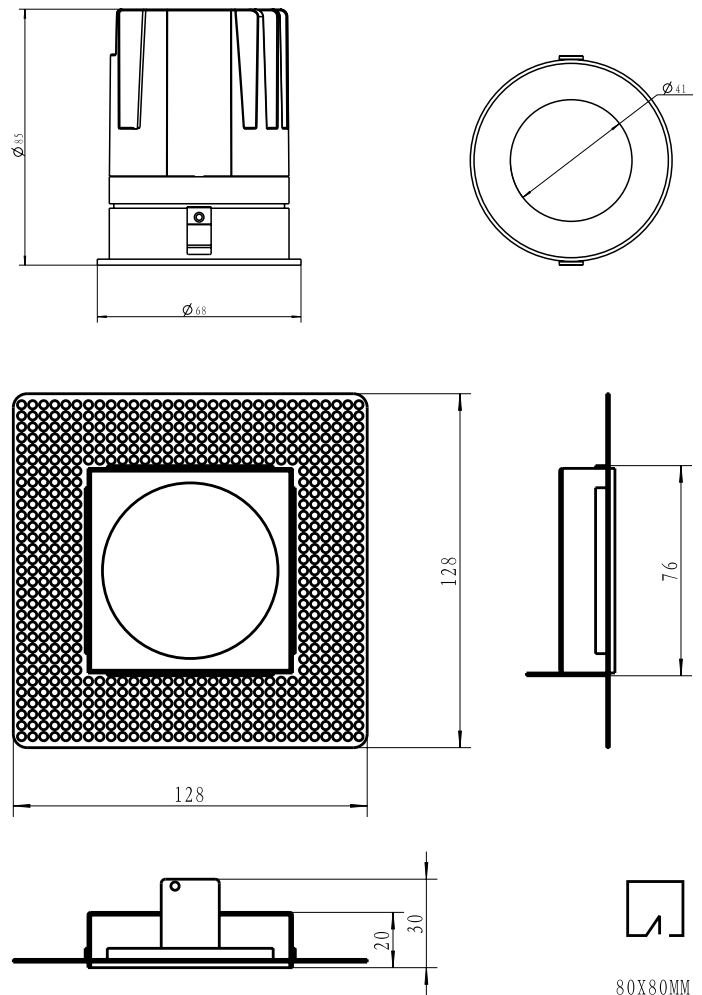
KEY POINTS

- True Colour CRI 98, amazingly high level of colour rendering
- R9 95, reds are redder than ever
- Simple access to the light engine for easy maintenance
- Dim to dark with our range of fully tested drivers

DIMENSIONS



Fitted Dims:	72mm x 72mm
Light Engine:	Ø68mm, H.85mm
Aperture:	Ø41mm
Plaster Kit:	128mm x 128mm H.30mm
Total Height:	101mm
Cutout:	80mm x 80mm



TRUE COLOUR CRI 98

EIGER LED 1-S PLASTER IN FIXED DOWNLIGHT

TRUE COLOUR CRI 98 | IP65

DLD/EIG1-S-P-F



PRODUCT CODE CONSTRUCTION

PRODUCT CODE PREFIX	FINISH	LIGHT TEMP. CCT	BEAM ANGLE	DRIVER
DLD/EIG1-S-P-F <small>SHAPE APPLICATION VERSION</small> R Round P Plaster In A Adj. S Square R Recessed F Fixed	W W White B Black	27K 27K 2700K 30K 3000K 40K 4000K	24D 15D 15° 24D 24° 36D 36°	MD No driver MD TRIAC dim. 010 0-10V dim. D DALI dim.

SPECIFICATION

	2700K			3000K			4000K		
BEAM ANGLE	15°	24°	36°	15°	24°	36°	15°	24°	36°
Delivered lumens*	741 lm	728 lm	715 lm	819 lm	806 lm	780 lm	Available On Request		
*(Tc 85°C, +/-7%) Efficacy Lm/W	57	56	55	63	62	60	Available On Request		
Binning SDCM (Hot)	2								
CRI	98								
R9	95								
TM30 Rf Rg	Rf 95 Rg 95								
LED Type	Luminus XNova™ Generation 2 CXM-9 COB LED								
LED Lifetime (Ave.)	50,000 hrs								
POWER									
Wattage	13W								
Voltage	220-240V								
Current	350mA								
DRIVER									
Supported Protocols	Mains Dim / TRIAC / 0-10V / DALI / Bluetooth								
Dim to Dark	0.1% Lux								
Distance from Luminaire	20m maximum								
Wiring	Series								
Emergency	Emergency packs available								

01189 889414

enquiries@dld-contract.co.uk

dld-contract.co.uk

DLD Contract Ltd
Unit 9 Brookside Business Centre
Church Road
Swallowfield
Reading
Berkshire
RG7 1TH