

Glazer SDI

SOP 3400+2850 lm 41+36 W 827 L2274mm FO-DS IP20 black + susp 3m

ARTICLE NO: 13482411072A1

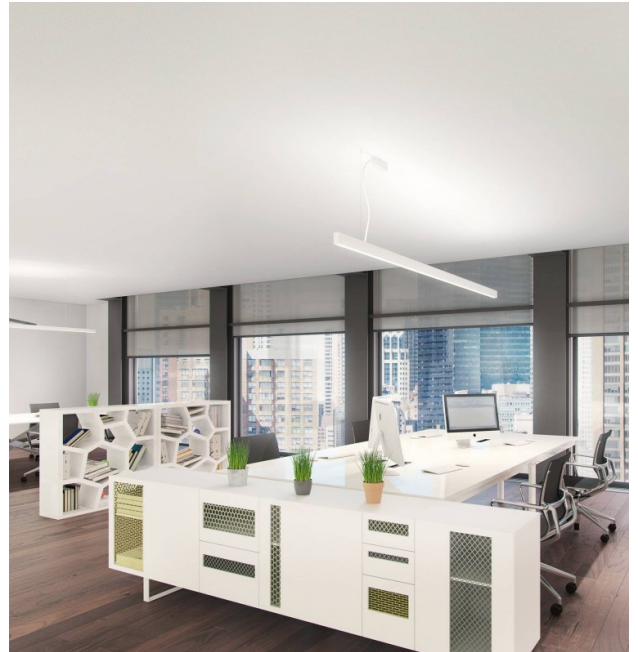
Project name: brian coles orso

Reference: darklight

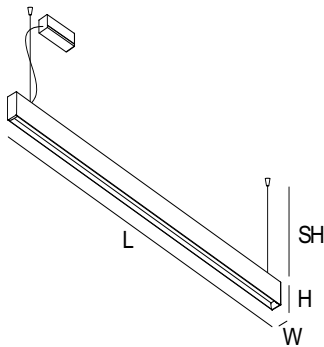
Quantity: 16



● Black



Dimension



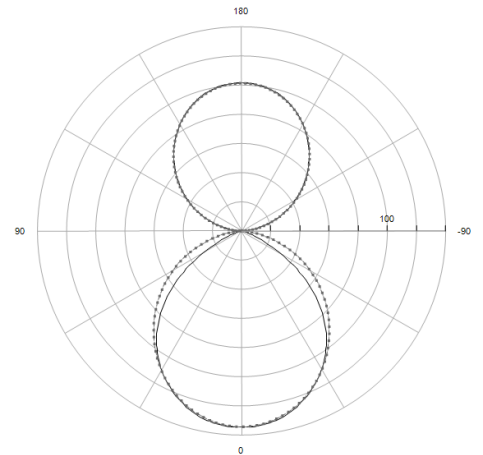
Dimension L: 2274 W: 36 H: 70 SH: 3000

(mm):

Product description

Installation Suspended (SDI) **Optic** Satin opal polycarbonate diffuser **Material** Extruded aluminium profile, powder coated; screw-less polycarbonate end caps
Nominal Luminaire Luminous flux 3400+2850 lm **Light source luminous flux** 10125 lm **Power** 77 W **Correlated colour temperature - CCT** 2700 K
Colour Rendering Index - CRI 80 **Chromaticity tolerance (initial MacAdam)** 3
Lumen maintenance factor 50000h L80 B10 at 35°C **Driver** LED driver with fixed output, separate switching of direct and indirect illumination **Power supply** 230V 50Hz
IP Protection IP20 **Weight of luminaire with packaging.** 3,20 kg **Energy class** A++
Colour Black

Photometry



Light output ratio

LOR	61,2
ULOR	28,1
DLOR	33,1
Luminaire luminous flux	6194
Luminaire efficacy (LEF)	80

UGR values

X=4H, Y=8H	S = 0,25H
Radiant class	70/50/20
Transverse	18.3
Longitudinal	22.6

Classification

BZ	BZ 4 / 1.25 / BZ 3
UTE	0.33 D + 0.28 T
DIN	C41
CIE	53 86 98 54 61