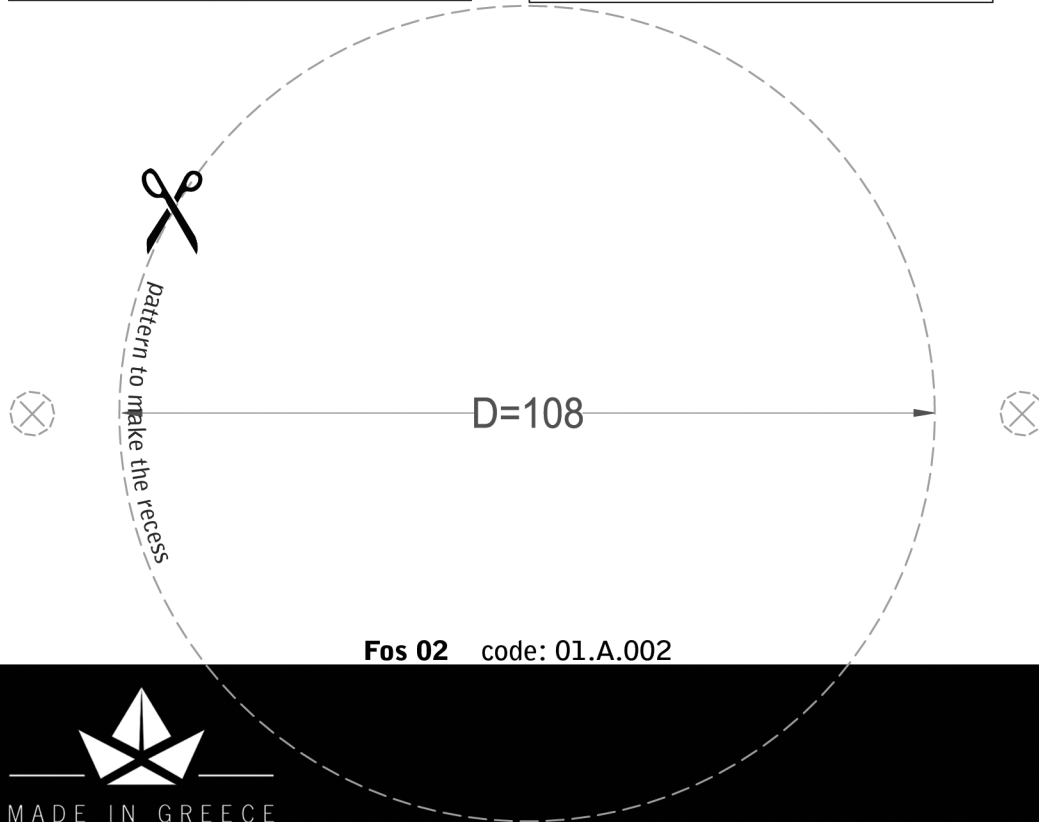


ceiling 



**Fos 02** code: 01.A.002

**Recessed Spotlight**

**Fos 02** code: 01.A.002

**Finishes**

Natural Plaster Finish

**Dimensions / Weight**

D102x27mm / 220g/pc

**Lamp Holder**

GU10 (included)

**Lamp type / Max consumption / Voltage**

MR16 Led or Halogen / 50Watt / 220-240V (not included)

note: This recessed spotlight can also be used with GU 5.3 / MR16 / 12V

**Features**



Copyright © 2016 NamaModular. All rights reserved