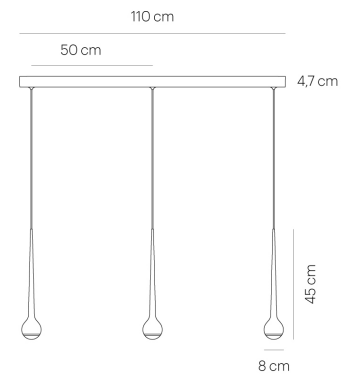


FALLING TRACE 3/110 alu pol

DC02-4

warmDIM



TECHNICAL SPECIFICATIONS

Lamp holder	LED
Mounting method	ceiling-mounted (surface)
warmDIM	Yes
Light emission	direct
Level of light output efficiency	100 %
Luminaire luminous flux	3x770 lm
Colour temperature	2700 K
Colour rendering index (CRI)	> 90
Beam angle	41
White impression	warm white
Rated voltage (range)	220-240 V / 120 V
Power frequency	50/60 Hz
Power consumption (maximum)	3x11 W
Surface	polished
Housing material	aluminium
Type of lamp control gear	Driver
Ballast included	Yes
Protection class	I
Number of lampheads	3
Energy efficiency	A - A++
Dimmable	Yes
Diameter	80 mm
Suspension length	-/2500 mm
Net weight	3,80 kg
Width of profile	57,6 mm
Fire protection "F"	Yes

LIGHT DIAGRAM

