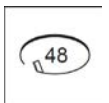
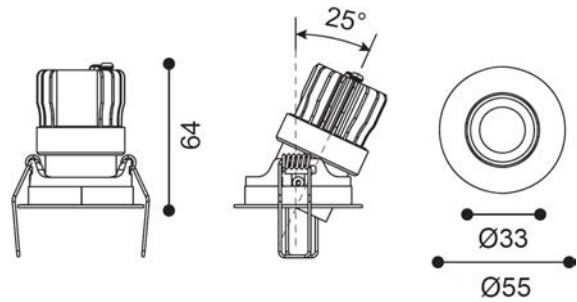


ATLAS MINI

LED IP65 ADJUSTABLE RECESSED DOWNLIGHT
DLD/3418181

DLD
CONTRACT



Dimensions
Ø55mm, H.64mm

Cutout
Ø48mm



- Removable light engine - simple twist mechanism
- IP65 - suitable for outdoor & bathroom installation
- Adjustable by 25° tilt
- Die-cast aluminium luminaire

- Forged aluminium heat sink
- Plastic PC reflector
- Bezel finish: white | black
- Baffle finish: black | white

ATLAS MINI

LED IP65 ADJUSTABLE RECESSED DOWNLIGHT
DLD/3418181

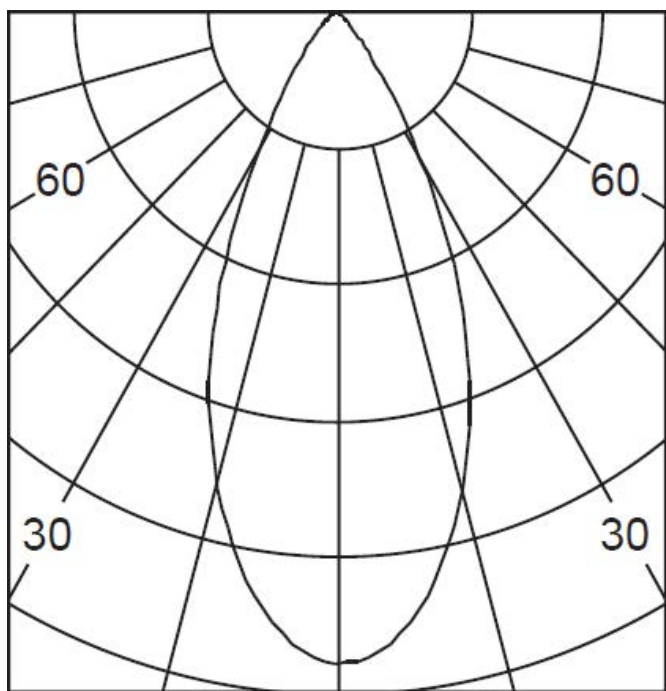
DLD
CONTRACT

TECHNICAL OVERVIEW

LED Consumption	6.3W
Current	350mA
CCT	3000K
Lumen *1	542lm
Beam angle	50°
CRI	90+
Insulation	Class I
Protection	IP65 (IP20 from engine side)
Tilt	0~25°
Rotation	-

MATERIALS

Luminaire	Aluminium die-cast
Reflector	Plastic-PC
Heat Sink	Forged aluminium



H (m)	D (m)	E(lx)
	44°	
1.0	0.82	527
2.0	1.64	131
3.0	2.46	58
4.0	3.28	32
5.0	4.10	21

*1. LUMEN : for LED chip test results based on Tc=85°C.

This is the ideal (maximum) lumen. This lumen information is from the LED supplier.

ATLAS MINI

LED IP65 ADJUSTABLE RECESSED DOWNLIGHT
DLD/3418181



PRODUCT CODE CONSTRUCTION

DLD/3418181 / [X] / [X] / [X] / [X] / [X]

LIGHT COLOUR TEMPERATURE (CCT):

[30K]

3000°K

BEAM ANGLE:

[50D]

50°

WATTAGE:

[6W]

6.3W

BAFFLE FINISH:

[BK] [WH]

Black White

BEZEL FINISH:

[WH] [BK]

White Black



01189 889414



enquiries@dld-contract.co.uk



dld-contract.co.uk

DLD Contract Ltd
Unit 9 Brookside Business Centre
Church Road
Swallowfield
Reading
Berkshire
RG7 1TH