

TECHNICAL DATA SHEET

INDOX 50 W LED 700LM CRI 80

REF N° 222 72 040 Adj. ⚡ phase DIM 2700K
 REF N° 222 72 140 Adj. ⚡ phase DIM 3000K
 REF N° 222 72 142 Adj. ⚡ phase DIM Vibrant V830
 REF N° 222 72 240 Adj. ⚡ phase DIM 4000K
 REF N° 222 62 040 Adj. ⚡ DIM 1-10V 2700K
 REF N° 222 62 140 Adj. ⚡ DIM 1-10V 3000K
 REF N° 222 62 142 Adj. ⚡ DIM 1-10V Vibrant V830
 REF N° 222 62 240 Adj. ⚡ DIM 1-10V 4000K

Xicato LED - 8,3 W - 720lm @ 70°C
 ☐ - 230V/50Hz - incl LED driver - IP20
 36° - ▽ - (0.5m) - ⚡ CE - 850°C - 2 SDCM
 h=122 - 144x168 mm

INDOX 50 W LED 500LM CRI 97

REF N° 222 72 940 Adj. ⚡ phase DIM 2700K
 REF N° 222 72 840 Adj. ⚡ phase DIM 3000K
 REF N° 222 72 842 Adj. ⚡ phase DIM Vibrant V930
 REF N° 222 72 740 Adj. ⚡ phase DIM 4000K
 REF N° 222 62 940 Adj. ⚡ DIM 1-10V 2700K
 REF N° 222 62 840 Adj. ⚡ DIM 1-10V 3000K
 REF N° 222 62 842 Adj. ⚡ DIM 1-10V Vibrant V930
 REF N° 222 62 740 Adj. ⚡ DIM 1-10V 4000K

Xicato LED - 8,5 W - 500lm @ 70°C
 ☐ - 230V/50Hz - inclusive LED driver
 36° - ▽ - (0.5m) - ⚡ CE - 850°C - 2 SDCM
 h=122 - 144x168 mm

INDOX 50 W LED 700LM CRI 80 FIX IP54

REF N° 222 72 041 BATHROOM phase DIM 2700K
 REF N° 222 72 141 BATHROOM phase DIM 3000K
 REF N° 222 72 045 OUTDOOR phase DIM 2700K
 REF N° 222 72 145 OUTDOOR phase DIM 3000K

Xicato LED - 8,3 W - 720lm @ 70°C
 ☐ - 230V/50Hz - inclusive LED driver
 36° - ▽ - (0.5m) - ⚡ CE - 850°C - 2 SDCM
 Outdoor: Waterproof Calcyt+®
 h=122 - 144x168 mm

INDOX 50 LED W 500LM CRI 97 FIX IP54

REF N° 222 72 941 BATHROOM phase DIM 2700K
 REF N° 222 72 841 BATHROOM phase DIM 3000K
 REF N° 222 72 945 OUTDOOR phase DIM 2700K
 REF N° 222 72 845 OUTDOOR phase DIM 3000K

Xicato LED - 8,5 W - 500lm @ 70°C
 ☐ - 230V/50Hz - inclusive LED driver
 36° - ▽ - (0.5m) - ⚡ CE - 850°C - 2 SDCM
 Outdoor: Waterproof Calcyt+®
 h=122 - 144x168 mm

INDOX 50 W HAL

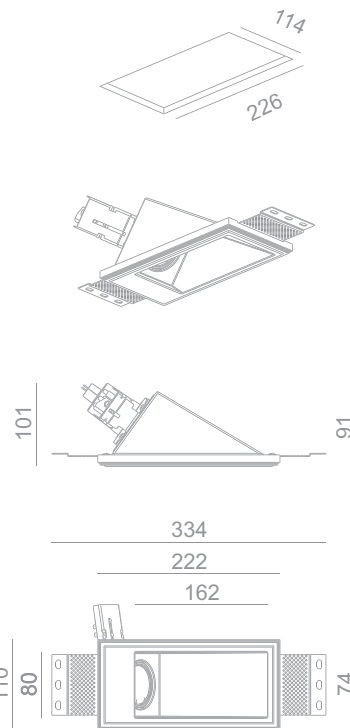
REF N° 222 10 050 Adj. ⚡ IP20
 REF N° 222 10 051 Fix. IP54 BATHROOM
 REF N° 222 10 055 Fix. IP54 OUTDOOR

⚡ QR-CBC 51 - 50W - Gx5.3 - 12V - ⚡ CE
 excl lamp and transfo - ▽ - (0.5m) - 850°C
 Outdoor: Waterproof Calcyt+®
 ⚡ - h=98 - 144x168 mm

INDOX 50 W ES

REF N° 222 11 050 Adj. ⚡ IP20
 REF N° 222 11 051 Fix. IP54 BATHROOM
 REF N° 222 11 055 Fix. IP54 OUTDOOR

⚡ QPAR 16 - 50W - GZ10/GU10 - ⚡ CE
 230V/50Hz - excl. lamp - ▽ - (0.5m) - 850°C
 Outdoor: Waterproof Calcyt+®
 ⚡ - h=100 - 144x168 mm



Included: installation system for gypsum ceiling 9 - 12 - 15 mm

OPTIONAL INSTALLATION KIT

- REF N° 230 99 025 installation system for gypsum ceiling 25 mm
- REF N° 230 99 030 installation system for gypsum ceiling 30 mm
- REF N° 200 50 000 clip on lampholder ring, without diffuser
- REF N° 200 50 001 clip on lampholder ring - with frosted diffuser