

# TECHNICAL DATA SHEET

## QUBY FLUO

REF N° 126 23 006

T2-6W - GX53 - 230V/50Hz -   
 incl EVG - - - - - IP44   
 850°C - -

## QUBY LED DIM 100 LM

REF N° 126 60 500 CRI 80 warm white 2200°K   
 REF N° 126 60 000 CRI 90 warm white 2700°K   
 REF N° 126 60 100 CRI 90 warm white 3000°K   
 REF N° 126 60 300 royal blue

- 1W - excl. LED driver - current controlled 350 mA - - -   
 - IP40 - - - serial wiring   
 3 SDCM - 3 Step MacAdam   
 Requires remote LED driver   
 current controlled 350 mA

## QUBY LED DIM 400 LM

REF N° 126 61 000 CRI 80 warm white 2700°K   
 REF N° 126 61 100 CRI 80 warm white 3000°K   
 REF N° 126 61 200 CRI 80 neutral white 4000°K

- 4W - excl. LED driver - current controlled 350 mA - - -   
 - IP40 - - - serial wiring   
 2 SDCM - 2 Step MacAdam   
 Requires remote LED driver   
 current controlled 350 mA

## REMOTE LED DRIVER ON/OFF

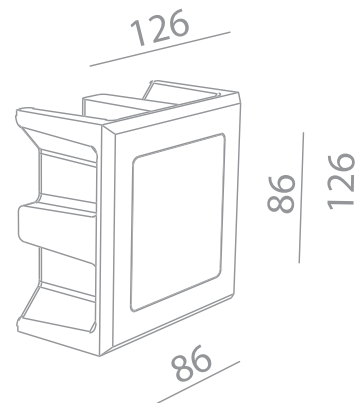
REF N° 697 00 006 8W   
 REF N° 697 00 015 15W   
 REF N° 697 00 025 25W

230V/50Hz - - current controlled   
 - - IP20 - 350mA - not dimmable

## REMOTE LED DRIVER DIM

REF N° 697 60 006 6W 1-10V   
 REF N° 697 60 015 15W 1-10V   
 REF N° 697 30 015 15W DALI   
 REF N° 697 60 025 25W 1-10V DALI PUSH   
 REF N° 697 60 040 40W 1-10V DALI PUSH   
 REF N° 697 70 009 9W PHASE DIM (tr. edge)   
 REF N° 697 70 017 17W PHASE DIM

230V/50Hz - - current controlled   
 - - IP20 - 350mA - dimmable



Ready for installation in solid walls   
 Optional plasterkit for installation into gypsum walls

## PLASTERKIT QUBY

REF N° 725 01 000 For mounting into gypsum walls   
 132x132 mm. Housing: perforated aluminium

