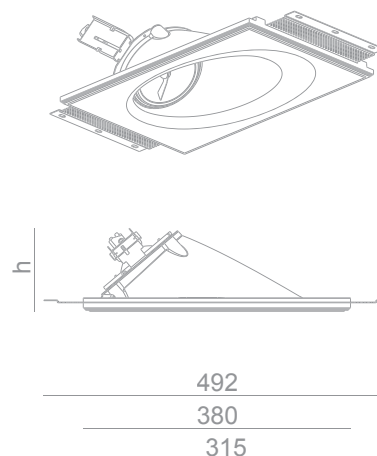


TECHNICAL DATA SHEET

MIST 111 LED 1300LM CRI 97

REF N° 248 23 940 Adj. ⚡ on/off 2700K
 REF N° 248 23 840 Adj. ⚡ on/off 3000K
 REF N° 248 23 842 Adj. ⚡ on/off Vibrant V930
 REF N° 248 63 940 Adj. ⚡ DIM 1-10V 2700K
 REF N° 248 63 840 Adj. ⚡ DIM 1-10V 3000K
 REF N° 248 63 842 Adj. ⚡ DIM 1-10V Vibrant V930
 REF N° 248 33 940 Adj. ⚡ DIM DALI 2700K
 REF N° 248 33 840 Adj. ⚡ DIM DALI 3000K
 REF N° 248 33 842 Adj. ⚡ DIM DALI Vibrant V930

Xicato LED - 17,6W - 1300 lm @ 70°C
 □ - 230V/50Hz ⚡ - incl LED driver - 36°
 ▽ - IP20 (0.5m) - ⚡ CE - 850°C - 2 SDCM
 h=176 - □ 254x384 mm



MIST 111 LED 1300LM CRI 80

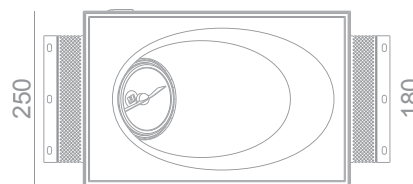
REF N° 248 23 040 Adj. ⚡ on/off 2700K
 REF N° 248 23 140 Adj. ⚡ on/off 3000K
 REF N° 248 23 142 Adj. ⚡ on/off Vibrant V830
 REF N° 248 63 040 Adj. ⚡ DIM 1-10V 2700K
 REF N° 248 63 140 Adj. ⚡ DIM 1-10V 3000K
 REF N° 248 63 142 Adj. ⚡ DIM 1-10V Vibrant V830
 REF N° 248 33 040 Adj. ⚡ DIM DALI 2700K
 REF N° 248 33 140 Adj. ⚡ DIM DALI 3000K
 REF N° 248 33 142 Adj. ⚡ DIM DALI Vibrant V830

Xicato LED - 11,7W - 1300 lm @ 70°C
 □ - 230V/50Hz ⚡ - incl LED driver - 36°
 ▽ - IP20 (0.5m) - ⚡ CE - 850°C - 2 SDCM
 h=176 - □ 254x384 mm

MIST 111 LED 2000LM CRI 80

REF N° 248 25 040 Adj. ⚡ on/off 2700K
 REF N° 248 25 140 Adj. ⚡ on/off 3000K
 REF N° 248 25 142 Adj. ⚡ on/off Vibrant V830
 REF N° 248 65 040 Adj. ⚡ DIM 1-10V 2700K
 REF N° 248 65 140 Adj. ⚡ DIM 1-10V 3000K
 REF N° 248 65 142 Adj. ⚡ DIM 1-10V Vibrant V830
 REF N° 248 35 040 Adj. ⚡ DIM DALI 2700K
 REF N° 248 35 140 Adj. ⚡ DIM DALI 3000K
 REF N° 248 35 142 Adj. ⚡ DIM DALI Vibrant V830

Xicato LED - 19,5W - 2000 lm @ 70°C
 □ - 230V/50Hz ⚡ - incl LED driver - 36°
 ▽ - IP20 (0.5m) - ⚡ CE - 850°C - 2 SDCM
 h=176 - □ 254x384 mm



Included: installation system for gypsum ceiling 9 - 12 - 15 mm

OPTIONAL INSTALLATION KIT

REF N° 248 99 025 installation system for gypsum ceiling 25 mm
 REF N° 248 99 030 installation system for gypsum ceiling 30 mm
 REF N° 201 00 060 Frosted diffuser for 111 LED series
 REF N° 850 00 000 Concrete box Mist 111 - Galvanized steel

MIST 111 AR

REF N° 248 13 100 Adj. ⚡

QR-LP 111 - 35-50-75-100W
 G53 - 12V - ⚡ - excl. transfo
 ▽ - (1.0m) - ⚡ CE - ⚡ - IP20 - 850°C
 h=118 - □ 254x384 mm

MIST 111 CDM

REF N° 248 19 070 Adj. ⚡ CDM-TC - G8.5
 REF N° 248 12 070 Adj. ⚡ CDM-R - GX8.5

35W or 70W - 230V/50Hz - ⚡ - excl. EVG
 ▽ - (0.5m) - ⚡ CE - ⚡ - IP20 - 850°C
 h=146 - □ 254x384 mm

