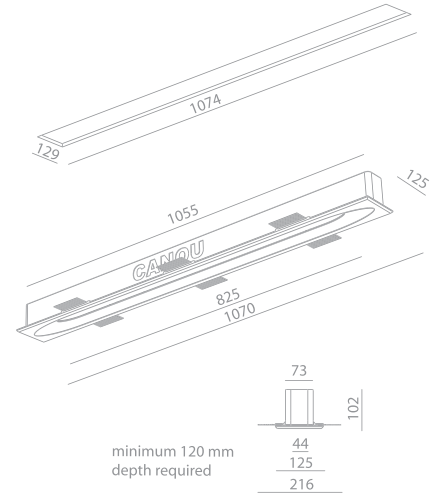


TECHNICAL DATA SHEET



CANOU FLUO

REF N° 237 15 039 on/off
 REF N° 237 18 039 DIM 1-10V
 REF N° 237 30 039 DIM DALI

1x T16 - 21/39W
 G5 - 230V/50Hz - incl. EVG
 0.5m - IP20 - 850°C
 - **leco**
 h=120 - 129x1074 mm

CANOU LED 3000 LM

REF N° 237 25 000 on/off 2700°K
 REF N° 237 25 100 on/off 3000°K
 REF N° 237 65 000 DIM 1-10V 2700°K
 REF N° 237 65 100 DIM 1-10V 3000°K
 REF N° 237 35 000 DIM DALI 2700°K
 REF N° 237 35 100 DIM DALI 3000°K

230V/50Hz - 28,5W - 3000lm@65°C
 3300lm@25°C - **CE** - IP20
 parallel wiring 0.2m - 850°C
 Integrated line voltage LED driver
 Connects directly to 230 VAC
 4 SDCM - 4 Step MacAdam
 h=120 - 129x1074 mm

Included: installation system for gypsum ceiling 9 - 12 - 15 mm

OPTIONAL INSTALLATION KIT

REF N° 237 99 025 installation system for gypsum ceiling 25 mm
 REF N° 237 99 030 installation system for gypsum ceiling 30 mm
 REF N° 237 00 001 Prisma cover Canou
 REF N° 837 00 000 Concrete box Canou - Galvanized steel

