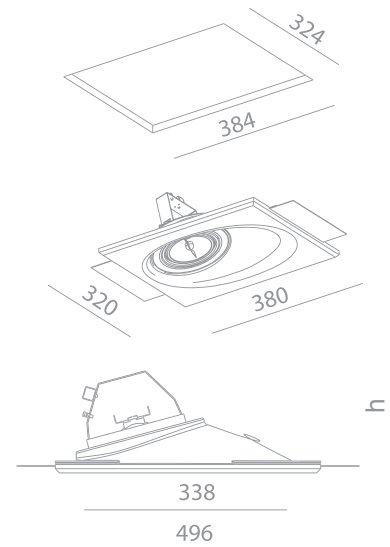


# TECHNICAL DATA SHEET



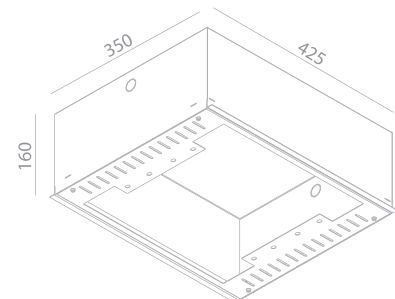
Included: installation system for gypsum ceiling 9 - 12 - 15 mm

## OPTIONAL INSTALLATION KIT

**REF N° 214 99 025** installation system for gypsum ceiling 25 mm

**REF N° 214 99 030** installation system for gypsum ceiling 30 mm

**REF N° 814 00 000** Concrete box Illusion 111 - Galvanized steel



### ILLUSION 111 AR

**REF N° 214 13 100** Adj.

QR-LP 111 - 35-50-75-100W

G53 - 12V - - excl. transfo

- - - - IP20 - 850°C

h=140 - 324x384 mm

### ILLUSION 111 CDM

**REF N° 214 19 070** Adj. CDM-TC - G8.5

**REF N° 214 12 070** Adj. CDM-R - GX8.5

35W or 70W - 230V/50Hz - - excl. EVG

- - - - IP20 - 850°C

h=155 - 324x384 mm