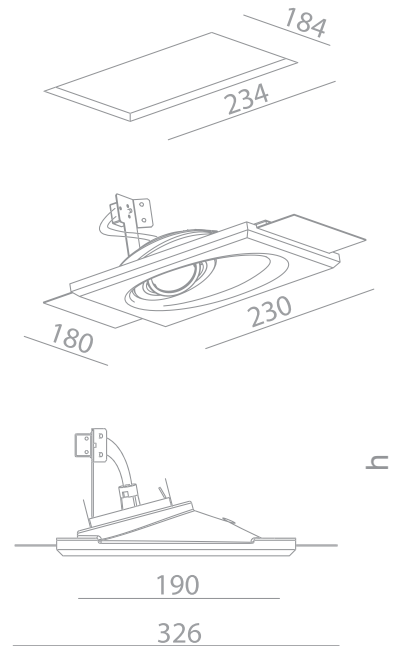


TECHNICAL DATA SHEET



Included: installation system for gypsum ceiling 9 - 12 - 15 mm

OPTIONAL INSTALLATION KIT

REF N° 213 99 025 installation system for gypsum ceiling 25 mm

REF N° 213 99 030 installation system for gypsum ceiling 30 mm

REF N° 813 00 000 Concrete box Illusion 50 - Galvanized steel

ILLUSION 50 HAL

REF N° 213 10 050 Adj. ⚙ IP20

🔊 QR-CBC 51 - 50W - Gx5.3 - 12V - ⚡ CE
 excl lamp and transfo - ▽ - ⏏ 0.5m - 850°C
 📏 - h=125 - 📏 184x234 mm

ILLUSION 50 ES

REF N° 213 11 050 Adj. ⚙ IP20

🔊 QPAR 16 - 50W - GZ10/GU10 - ⚡ CE
 230V/50Hz - excl. lamp - ▽ - ⏏ 0.5m - 850°C
 📏 - h=125 - 📏 184x234 mm

