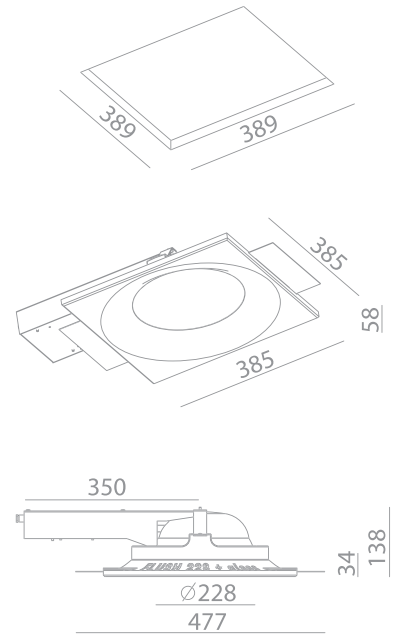


# TECHNICAL DATA SHEET



Included: installation system for gypsum ceiling 9 - 12 - 15 mm

## OPTIONAL INSTALLATION KIT

**REF N° 220 99 025** installation system for gypsum ceiling 25 mm



**REF N° 220 99 030** installation system for gypsum ceiling 30 mm

**REF N° 812 00 000** Concrete box Flush 228 - Galvanized steel

### FLUSH 228 26-32W

**REF N° 220 14 064** on/off

**REF N° 220 17 064** DIM 1-10V

 2x TC-TEL 26-32W  
 GX24q-3 - 230V/50Hz - <math>\langle \diamond \rangle</math> - incl. EVG  
 389x389 mm - <math>\nabla</math> - <math>\langle \downarrow 0.5m \rangle</math> - <math>\blacktriangle</math>  
 CE - IP40 - 850°C - <math>\textcircled{P}</math> - <math>\text{eco}</math>

### FLUSH 228 42W

**REF N° 220 14 084** on/off

**REF N° 220 17 084** DIM 1-10V

 2x TC-TEL 42W  
 GX24q-4 - 230V/50Hz - <math>\langle \diamond \rangle</math> - incl. EVG  
 389x389 mm - <math>\nabla</math> - <math>\langle \downarrow 0.5m \rangle</math> - <math>\blacktriangle</math>  
 CE - IP40 - 850°C - <math>\textcircled{P}</math> - <math>\text{eco}</math>

