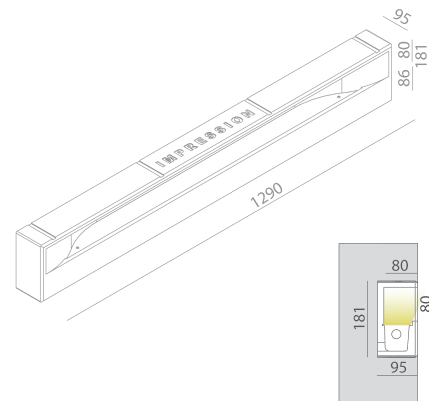


TECHNICAL DATA SHEET



IMPRESSION FLUO

REF N° 317 15 021 on/off
 REF N° 317 18 021 DIM 1-10V
 REF N° 317 30 021 DIM DALI

1 × T16 - 21/39W
 G5 - 230V/50Hz - \triangle - incl. EVG
 ∇ - \downarrow0.5m - E - CE - IP20 - 850°C
 P - eco

IMPRESSION LED 3000 LM

REF N° 317 25 000 on/off 2700°K
 REF N° 317 25 100 on/off 3000°K
 REF N° 317 65 000 DIM 1-10V 2700°K
 REF N° 317 65 100 DIM 1-10V 3000°K
 REF N° 317 35 000 DIM DALI 2700°K
 REF N° 317 35 100 DIM DALI 3000°K

230V/50Hz - 28,5W - 3000lm@65°C -
 3300lm@25°C - E - CE - IP20 - CRI 80
 parallel wiring ∇ - \downarrow0.2m - 850°C P \square
 Integrated line voltage LED driver
 Connects directly to 230 VAC
 4 SDCM - 4 Step MacAdam

Ready for installation in solid walls
 Optional plasterkit for installation into gypsum walls

PLASTERKIT IMPRESSION

REF N° 717 01 000 For mounting into gypsum walls
 P 186x1295 mm. Housing: perforated aluminium

