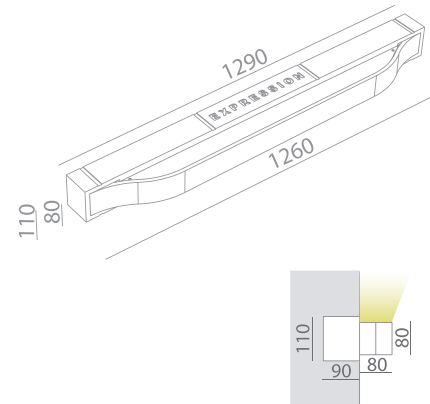


TECHNICAL DATA SHEET



EXPRESSION MONO FLUO

REF N° 318 15 021 on/off
REF N° 318 18 021 DIM 1-10V
REF N° 318 30 021 DIM DALI

1x T16 - 21/39W
G5 - 230V/50Hz - \triangle - incl. EVG
∇ - \downarrow0.5m - E - CE - IP20 - 850°C
P - eco

EXPRESSION MONO LED 3000 LM

REF N° 318 25 000 on/off 2700°K
REF N° 318 25 100 on/off 3000°K
REF N° 318 65 000 DIM 1-10V 2700°K
REF N° 318 65 100 DIM 1-10V 3000°K
REF N° 318 35 000 DIM DALI 2700°K
REF N° 318 35 100 DIM DALI 3000°K

230V/50Hz - 28,5W - 3000lm@65°C -
3300lm@25°C - E - CE - IP20 - CRI 80
parallel wiring ∇ - \downarrow0.2m - 850°C P \square
Integrated line voltage LED driver
Connects directly to 230 VAC
4 SDCM - 4 Step MacAdam

Ready for installation in solid walls
Optional plasterkit for installation into gypsum walls

PLASTERKIT EXPRESSION

REF N° 718 01 000 For mounting into gypsum walls

\square 115x1295 mm. Housing: perforated aluminium

