

Name: Urban - 120

Design: Joana Bover / 2011

Typology: Pendant lamp

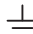






Environment: Indoor

Technical description:

Pendant lamp with frame, finished in brilliant chrome, with a hand wrapped translucent ribbon shade in cream, white, or red. Upper polycarbonate diffuser and lower methacrylate diffuser. Available in four pendant formats.



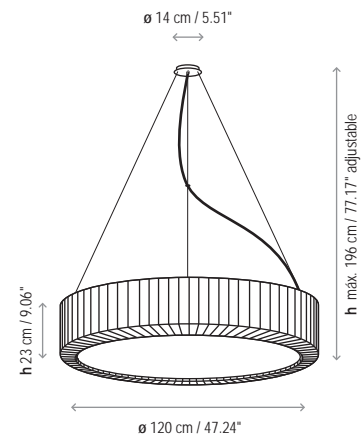
Lamps description

	Grounding: compulsory
	Ready for mounting on normally flammable surface
	6 x 36 W 2G11
Voltage: 230V~50Hz	
	1 Box 125 x 125 x 45 cm
Vol.: 0,7031 m ³	
Weight: 36 kg	
Certifications:  	
	Photometrics made according to the position the lights are shown in the catalogue and price list.

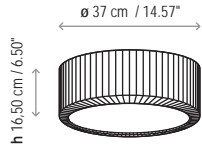
Ref	Finishings
410332506B	Chrome White Translucent Ribbon
410332506C	Chrome Cream Translucent Ribbon
410332506R	Chrome Red Translucent Ribbon
D410332506B	Dali Dimming System Chrome White Translucent Ribbon
D410332506C	Dali Dimming System Chrome Cream Translucent Ribbon
D410332506R	Dali Dimming System Chrome Red Translucent Ribbon

Customizable

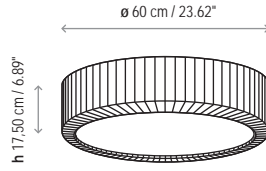
Measures



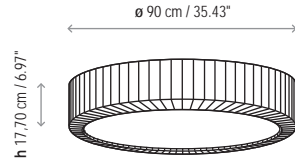
Urban - 37



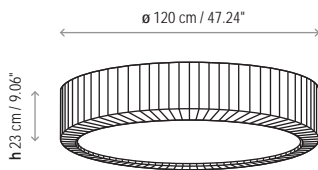
Urban - 60



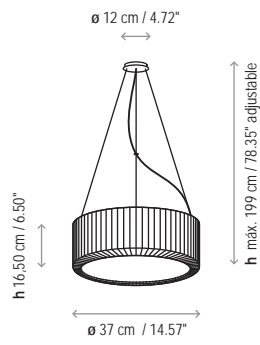
Urban - 90



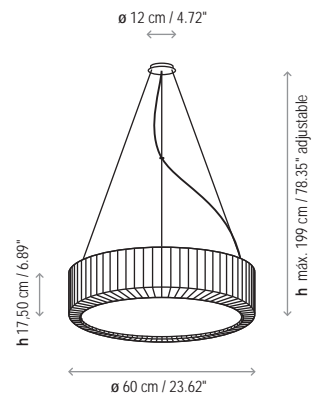
Urban - 120



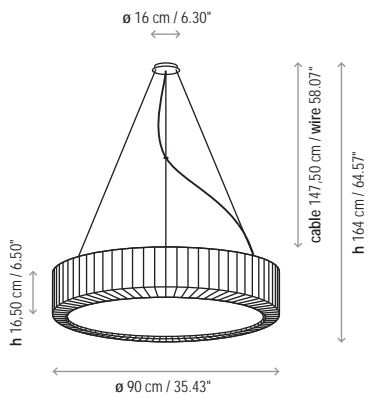
Urban - 37



Urban - 60



Urban - 90



Urban - 120

