

Name: Urban - 60

Design: Joana Bover / 2011

Typology: Pendant lamp

Environment: Indoor

Technical description:

Pendant lamp with frame, finished in brilliant chrome, with a hand wrapped translucent ribbon shade in cream, white, or red. Frosted glass diffuser included. Available in four pendant formats.



Lamps description


 Grounding: excluded

 Ready for mounting on normally flammable surface

 4 x 46 W Classic P Eco E-27

 4 x 22 W E-27


Voltage: 230V~50Hz

 1 Box 65 x 65 x 25 cm

Vol.: 0,1056 m³

Weight: 9 kg

Certifications:  

 Photometrics made according to the position the lights are shown in the catalogue and price list.

Ref Finishings

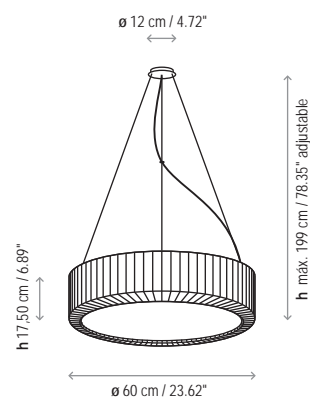
410232506B Chrome
White Translucent Ribbon

410232506C Chrome
Cream Translucent Ribbon

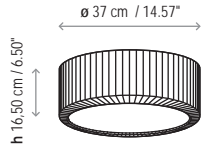
410232506R Chrome
Red Translucent Ribbon

Customizable

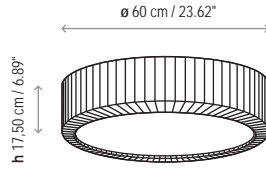
Measures



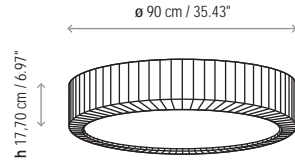
Urban - 37



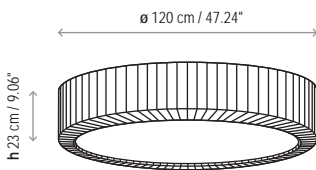
Urban - 60



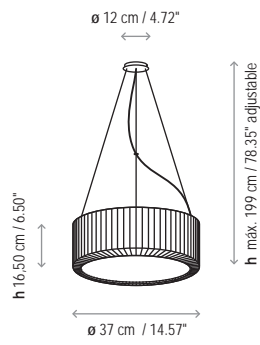
Urban - 90



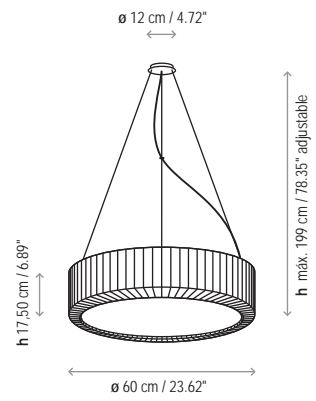
Urban - 120



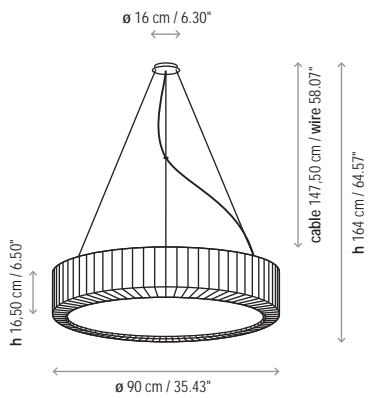
Urban - 37



Urban - 60



Urban - 90



Urban - 120

