

Name: Slend - Set 6

Design: Christophe Mathieu / 2014

Typology: Pendant lamp

Environment: Indoor

Technical description:

Spun aluminum pendant in 6 separate and different shapes on 1 central round canopy. Finishes are of Brilliant Black with Black canopy, Brilliant White with White canopy or Polished Aluminum with White Canopy. Copper lined aperture houses direct light source from LED lamp. Canopy features slots for the cable connection of fixtures to allow adjustability on placement of the cluster. Height adjustable cable in transparent for Polished Aluminum, white for Brilliant White fixtures or black for Brilliant Black fixtures.



Lamps description


 Grounding: excluded


 Ready for mounting on normally flammable surface

 6 x 6 W GU10 LED


Voltage: 230V~50Hz

2 Boxes:

 1 Box 55 x 55 x 25 cm
Vol.: 0,0756 m³ Weight: 5 kg

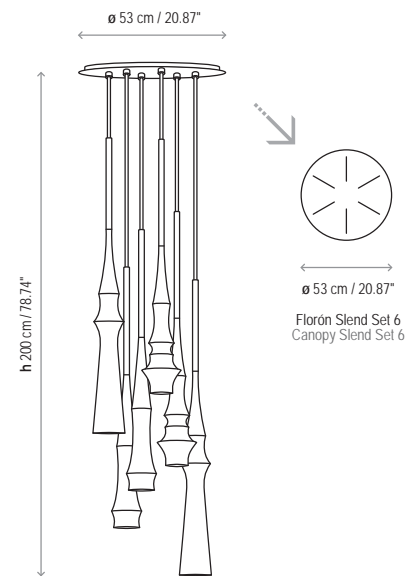
 1 Box 35 x 35 x 105 cm
Vol.: 0,1286 m³ Weight: 18 kg

Certifications:  

 Photometrics made according to the position the lights are shown in the catalogue and price list.

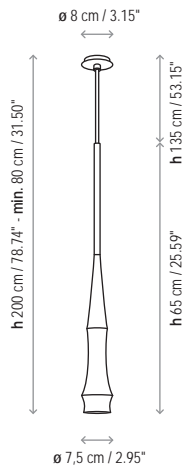
Ref	Finishings
2560520064	Polished Aluminum White Canopy Transparent Wire
2560520001	Brilliant White White Canopy White Wire
2560520023	Brilliant Black Black Canopy Black Wire
Matte finish available (please consult)	
LED bulb included	
Adjustable height by the user	
Includes two fittings of each (Slend 01, 02, 03) with the same finishings.	
Special colors: RAL number to be indicated. Minimum quantity: 5 pieces.	

Measures

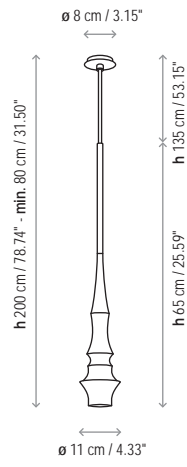


Customizable

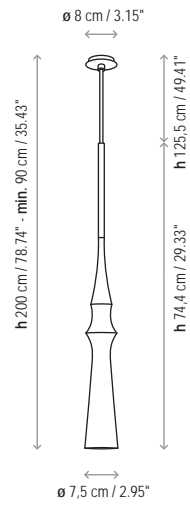
Slend - 01



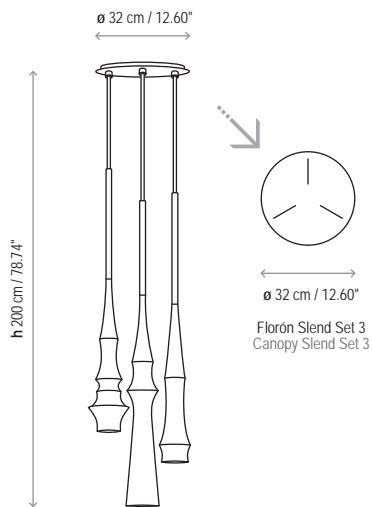
Slend - 02



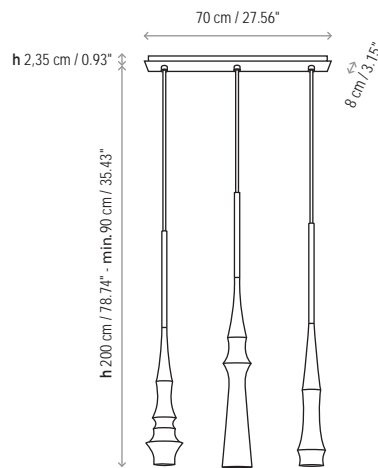
Slend - 03



Slend - Set 3 Round



Slend - Set 3 Lineal



Slend - Set 6

