

Name: Slend - Set 3 Round

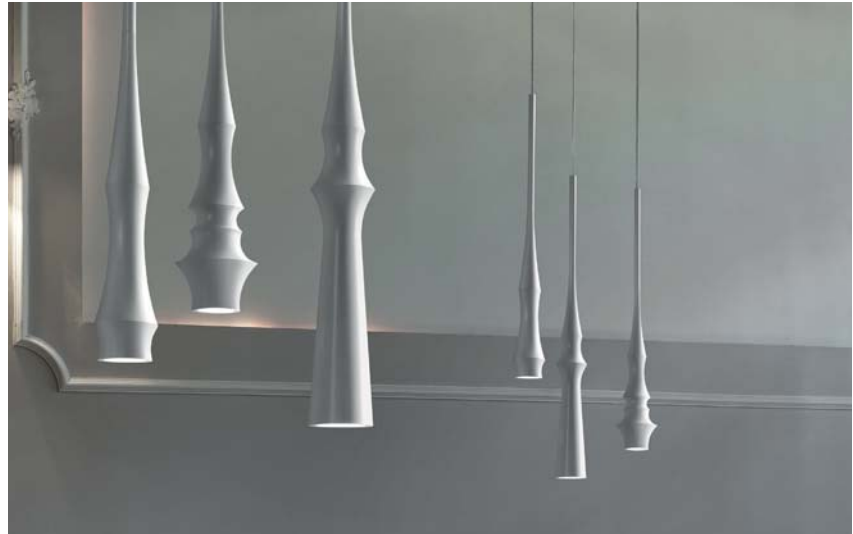
Design: Christophe Mathieu / 2014

Typology: Pendant lamp

Environment: Indoor

Technical description:

Spun aluminum pendant in 3 separate and different shapes on 1 central round canopy. Finishes are of Brilliant Black with Black canopy, Brilliant White with white canopy or Polished Aluminum with White Canopy. Copper lined aperture houses direct light source from LED lamp. Canopy features slots for the cable connection of fixtures to allow adjustability on placement of the cluster. Height adjustable cable in transparent for Polished Aluminum, white for Brilliant White fixtures or black for Brilliant Black fixtures.




Lamps description

 Grounding: excluded

 Ready for mounting on normally flammable surface

 3 x 6 W GU10 LED


Voltage: 230V~50Hz

 1 Box 35 x 47 x 105 cm

Vol.: 0,1727 m<sup>3</sup>

Weight: 15 kg

Certifications:  

 Photometrics made according to the position the lights are shown in the catalogue and price list.

Ref Finishings

2560420064 Polished Aluminum  
White Canopy  
Transparent Wire

2560420001 Brilliant White  
White Canopy  
White Wire

2560420023 Brilliant Black  
Black Canopy  
Black Wire

Matte finish available (please consult)

LED bulb included

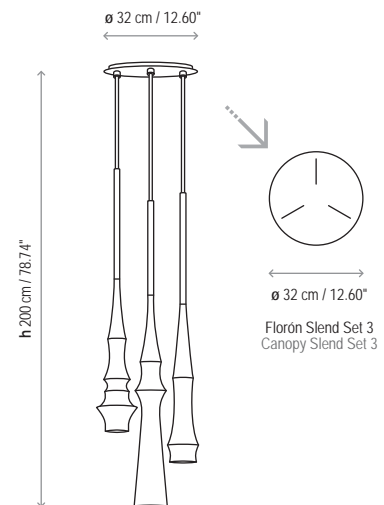
Adjustable height by the user

Includes a fitting of each (Slend 01, 02, 03) with the same finishings.

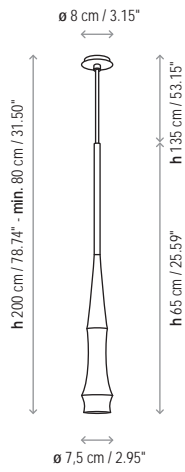
Special colors: RAL number to be indicated. Minimum quantity: 5 pieces.

Customizable

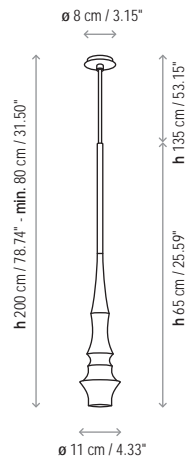
Measures



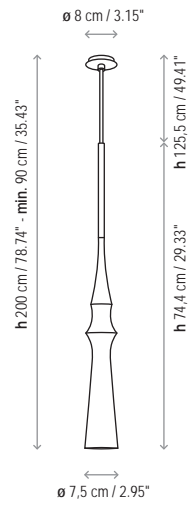
Slend - 01



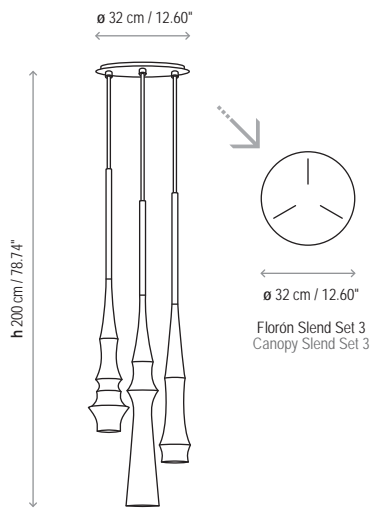
Slend - 02



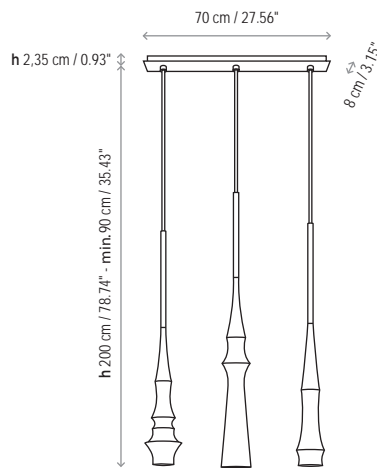
Slend - 03



Slend - Set 3 Round



Slend - Set 3 Lineal



Slend - Set 6

