

Name: Siam - 80

Design: Joana Bover / 2010

Typology: Ceiling lamp

Environment: Indoor

Technical description:

Ceiling lamp providing diffused light through a translucent shade composed of hand wrapped polyester blend ribbon, with structure finished in satin nickel or white, in various size options. Ribbon colors are available in white, cream and red. Frosted white methacrylate diffuser is included. This ceiling lamp can be mounted to create several group formations.



#### Lamps description



Grounding: compulsory



Ready for mounting on normally flammable surface



3 x 22 W E-27

Voltage: 230V~50Hz



1 Box 90 x 90 x 25 cm

Vol.: 0,2025 m<sup>3</sup>

Weight: 7 kg

Certifications: 



Photometrics made according to the position the lights are shown in the catalogue and price list.

#### Ref      Finishings

0132005    Satin Nickel

0132001    White 9010

#### Lampshade:

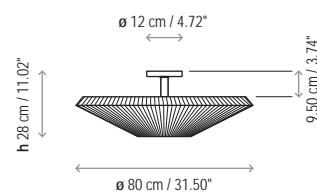
P-686C    White Translucent Ribbon

P-687C    Cream Translucent Ribbon

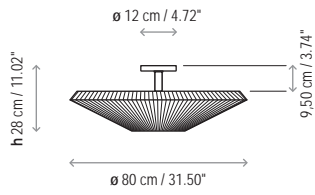
P-688C    Red Translucent Ribbon

Customizable

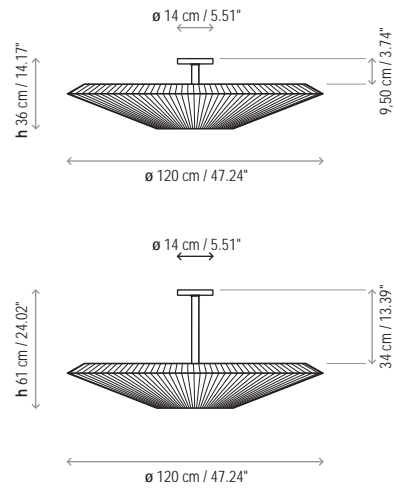
#### Measures



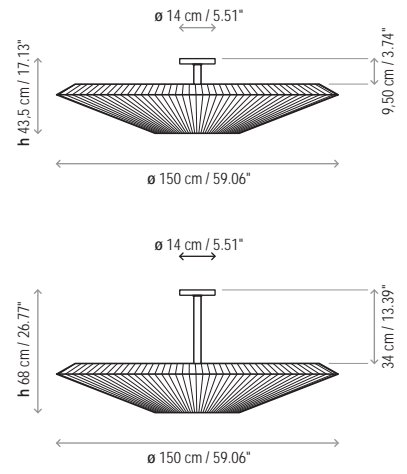
Siam - 80



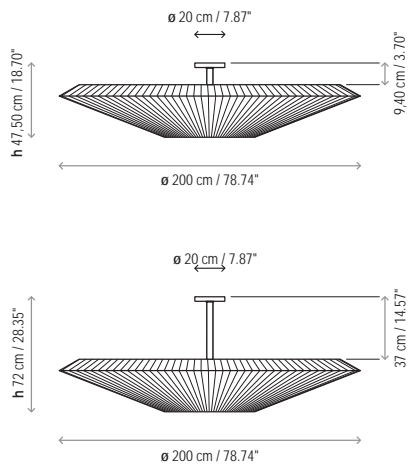
Siam - 120



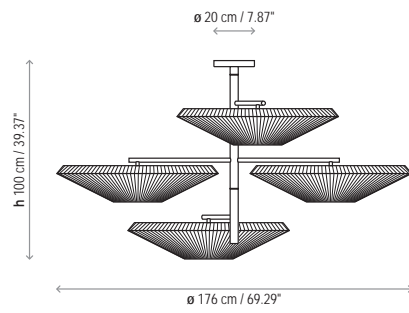
Siam - 150



Siam - 200



Siam - 4 Luces



Siam - 6 Luces

