

Name: Nón Lá T

Design: Jorge Pensi Design Studio / 2015

Typology: Table lamp

Environment: Indoor

Technical description:

Lightweight asymmetrical conical LED table lamp made of aluminum finished in Chrome, Copper, White and Black lacquer. Polycarbonate diffuser covering LED panel. Base of cast iron.

Touch dimming switch under the lamp head.



Lamps description

□ Grounding: excluded

▽ Ready for mounting on normally flammable surface

⊙ 10,5 W LED
Led: 35 x 0,3 W = 10,5 W
Lumens: 1200 lm
CRI: 90
Degrees Kelvin: 2700^º

Voltage: 230V~50Hz

⊞ 1 Box 41 x 36 x 53 cm

Vol.: 0,0782 m³ Weight: 4,55 kg

Certifications:  

⊞ Photometrics made according to the position the lights are shown in the catalogue and price list.

Ref Finishings

3320130301 White Brilliant Lacquer

3320130306 Chrome

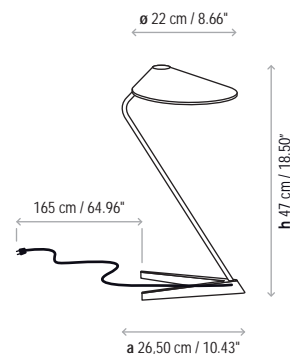
3320130323 Black Brilliant Lacquer

3320130390 Brilliant Copper

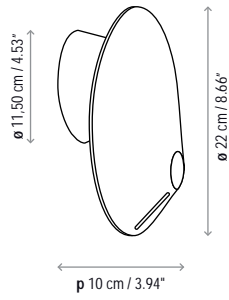
Dimmer: 3 level touch dimmer

Not Customizable

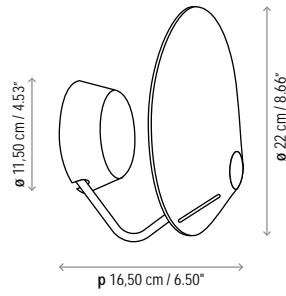
Measures



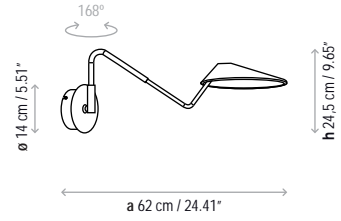
Nón Lá A 01



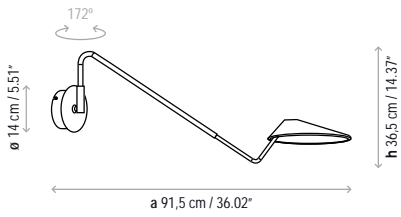
Nón Lá A 02



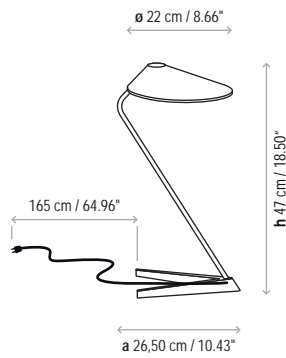
Nón Lá A 03



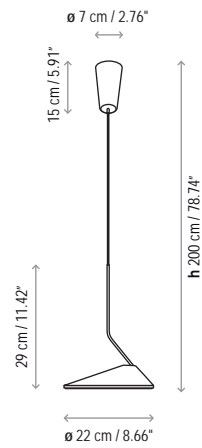
Nón Lá A 04



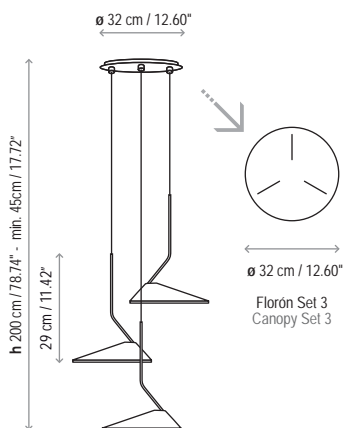
Nón Lá T



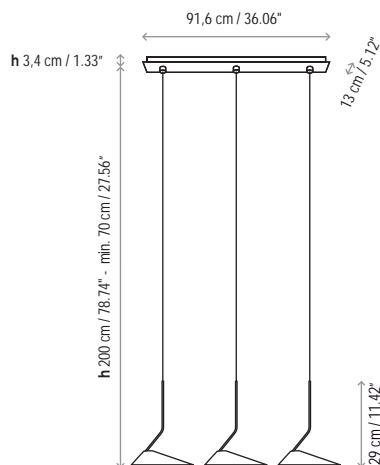
Nón Lá S



Nón Lá Set 3 Circular



Nón Lá Set 3 Rectangular



Nón Lá Set 6 Circular

