

Name: Nón Lá A 02

Design: Jorge Pensi Design Studio / 2015

Typology: Wall lamp

Environment: Indoor

Technical description:

Lightweight asymmetrical conical LED wall sconce made of aluminum finished in Chrome, Copper, White and Black lacquer. Polycarbonate diffuser covering LED panel. Light reflects on wall as well as through the aperture and slot on the shade.

Can be ceiling mounted.

Dimming system: TRIAC.




#### Lamps description


 Grounding: compulsory

 Ready for mounting on normally flammable surface

 TRIAC dimming system


 10,5 W LED  
Led: 35 x 0,3 W = 10,5 W  
Lumens: 1200 lm  
CRI: 90  
Degrees Kelvin: 2700<sup>º</sup>

Voltage: 230V~50Hz

 1 Box 27 x 27 x 25 cm

Vol.: 0,0182 m<sup>3</sup> Weight: 1,90 kg

Certifications:  

 Photometrics made according to the position the lights are shown in the catalogue and price list.

#### Ref Finishings

3320200601 White Brilliant Lacquer

3320200606 Chrome

3320200623 Black Brilliant Lacquer

3320200690 Brilliant Copper

3320201101 Triac  
White Brilliant Lacquer

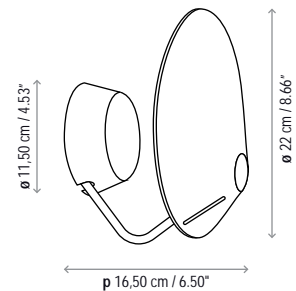
3320201106 Triac  
Chrome

3320201123 Triac  
Black Brilliant Lacquer

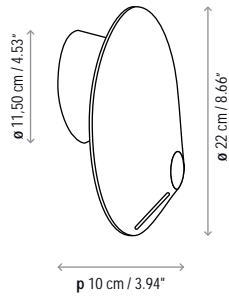
3320101190 Triac  
Brilliant Copper

Not Customizable

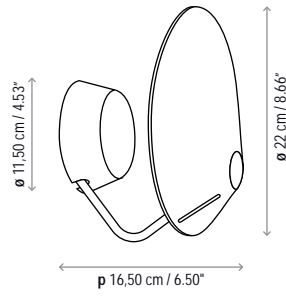
#### Measures



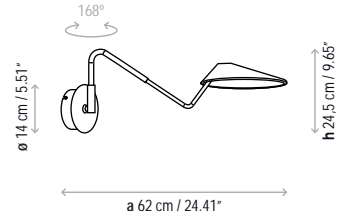
Nón Lá A 01



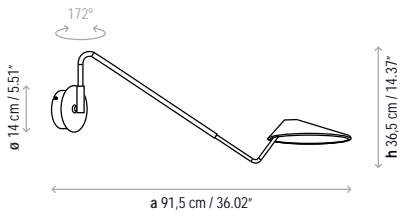
Nón Lá A 02



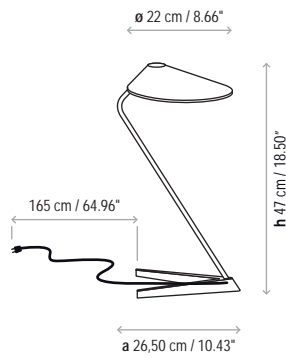
Nón Lá A 03



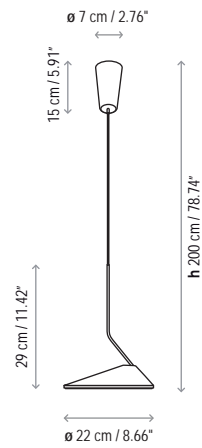
Nón Lá A 04



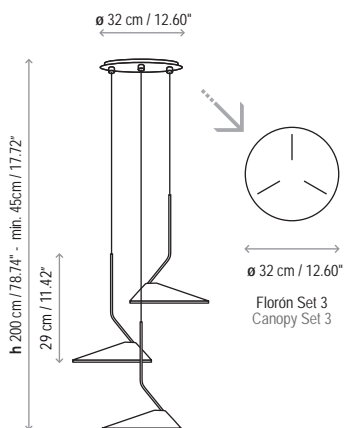
Nón Lá T



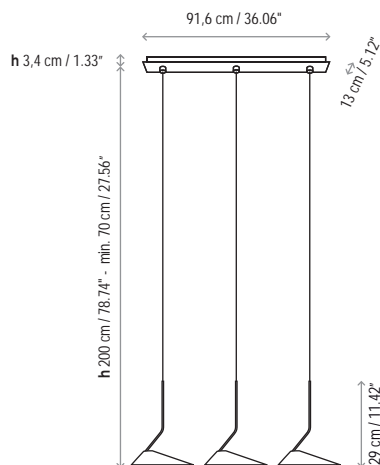
Nón Lá S



Nón Lá Set 3 Circular



Nón Lá Set 3 Rectangular



Nón Lá Set 6 Circular

