

Name: Mos - 02

Design: Joana Bover / 2008

Typology: Pendant lamp

Environment: Indoor

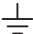







Technical description:

Pendent lamp releasing diffused light through a translucent shade of hand wrapped polyester blend ribbon. Light passes through a white opal glass diffuser, with white, cream or red translucent ribbon options for the shade. The iron structure has a satin nickel finish, available with a transparent PVC wire connection, as well as adjustable tensor wires.

Various tensor wires are available: 1.5 m, 3 m, and 5 m + terminal.



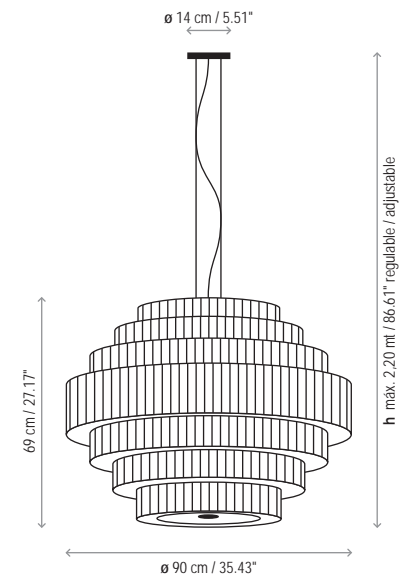
Lamps description

	Grounding: compulsory
	Ready for mounting on normally flammable surface
	5 x 46 W Classic P Eco E-27
	5 x 30 W E-27
Voltage: 230V~50Hz	
	1 Box 95 x 105 x 75 cm
Vol.: 0,7481 m ³	
Weight: 22 kg	
Certifications:  	
	Photometrics made according to the position the lights are shown in the catalogue and price list.

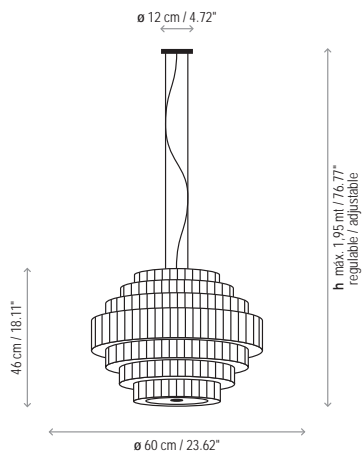
Ref Finishings

224P622	White Translucent Ribbon
224P623	Cream Translucent Ribbon
224P624	Red Translucent Ribbon
White opal glass diffuser included	
Satin nickel	
Transparent connection	
Adjustable tensor wire	
Safety tensor wire	
Customizable	

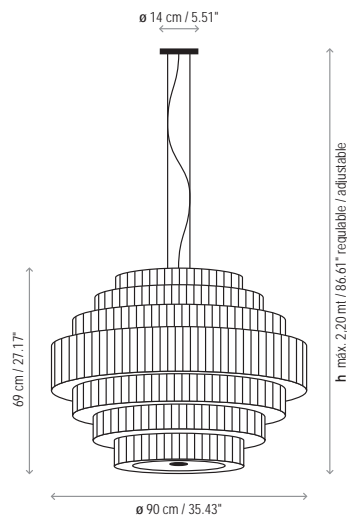
Measures



Mos - 01



Mos - 02



Mos - 03

