

Name: Maxi - 01

Design: Joana Bover / 2004

Typology: Pendant lamp





Environment: Indoor

Technical description:

Pendant lamp with hand wrapped translucent polyester blend ribbon with an internal iron frame. Available with electrical installation from above or below. The Maxi can be ordered with white or cream translucent ribbon, with additional colors available for special orders. Various tensor wires are available: 1.5, 3, and 5 mt + terminal.



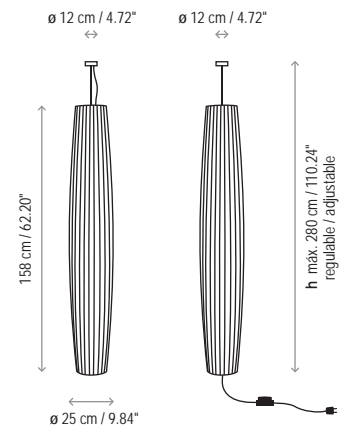
Lamps description

- Grounding: excluded
-  Ready for mounting on normally flammable surface
-  4 x 46 W Classic P Eco E-27
-  4 x 30 W E-27
- Voltage: 230V~50Hz
-  1 Box 30 x 30 x 170 cm
- Vol.: 0,1530 m<sup>3</sup>
- Weight: 4 kg
- Certifications:  
-  Photometrics made according to the position the lights are shown in the catalogue and price list.

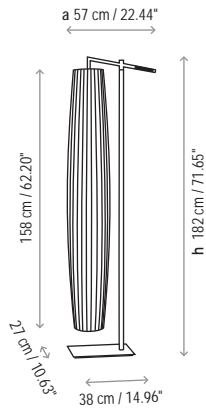
Ref      Finishings

- 43195TOP Electrical Upper Installation
- 4319505 Electrical Bottom Installation
- Lampshade 158 x 25 cm
- P-507T Top Cream Ribbon
- P-508T Top White Ribbon
- P-507I Bottom Inst. Cream Ribbon
- P-508I Bottom Inst. White Ribbon
- Adjustable tensor wire
- Nickel canopy (only for upper installation)
- Eco Classic bulbs included
- Maxi 01 / Maxi 02 pendant lamp comes in two versions: with upper installation and with bottom installation.
- Customizable

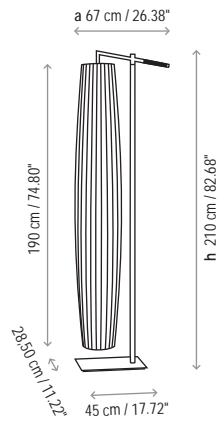
Measures



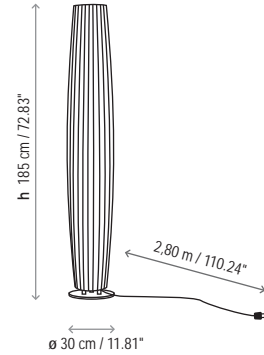
Maxi - 01 Floor



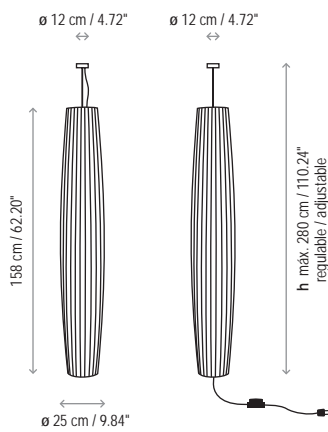
Maxi - 02 Floor



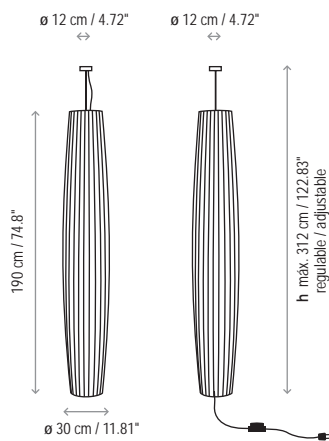
Maxi - 03 Floor



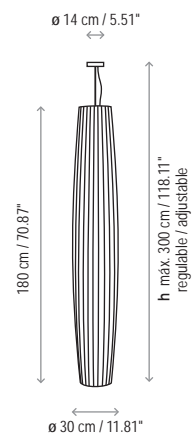
Maxi - 01 Pendant Lamp



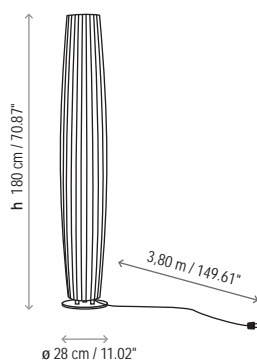
Maxi - 02 Pendant Lamp



Maxi - 03 / Dimable Pendant Lamp



Maxi - P Outdoor



Maxi - S Outdoor

