

Name: Lineana - Ipe

Design: Christophe Mathieu / 2010

Typology: Wall lamp

Environment: Outdoor

Technical description:

Exterior wall sconce with LED light emitting from polycarbonate diffuser. Structure made of stainless steel with a brown or grey graphite paint finish and a mask made of IPE wood and aluminum.



#### Lamps description



Grounding: compulsory



Ready for mounting on normally flammable surface



2 x 9 W G9 Bajo consumo



2 x 3,5 W LED G-9



26 W LED  
Led: 26 W  
Lumens: 1880 lm  
CRI: 80  
Degrees Kelvin: 3000<sup>a</sup>

Voltage: 230V~50Hz



1 Box 25 x 65 x 15 cm

Vol.: 0,0244 m<sup>3</sup>

Weight: 3 kg

Certifications: **CE IP-55**



Photometrics made according to the position the lights are shown in the catalogue and price list.

#### Ref

#### Finishings

IPE21208H Grey Graphite (G9)

IPE21203H Brown Graphite (G9)

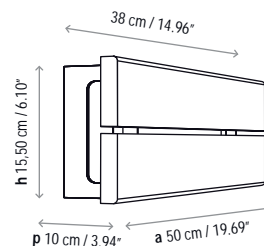
IPE21208LH Grey Graphite (LED)

IPE21203LH Brown Graphite (LED)

Surface back box: 38 x 15 cm

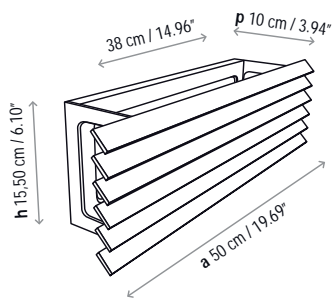
Not Customizable

#### Measures



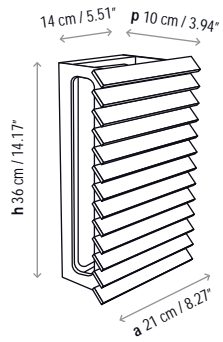
Lineana - H

---



Lineana - V

---



Lineana - Ipe

---

