

Name: Garota - P / 02

Design: Alex Fernández Camps / Gonzalo Milà / 2015

Typology: Outdoor floor

Environment: Outdoor

Technical description:


Tall outdoor floor lamp with a tripod stand structure made of stainless steel, painted and cataphoresis treated that can withstand exposure to the elements. Lamp shade is composed of hand wrapped polyethylene synthetic fiber over aluminum frame, available in different colors. Light source is protected by a frosted, polyethylene globe of medium density and UV protection. Electrical cord is protected with waterproof neoprene coating, and fixture is direct cord + plug with no switch on the cord or fixture. Available in Brown or Ivory finishes. Garota is not a customizable product. Consult for fastening options.



Lamps description


 Grounding: compulsory

 Ready for mounting on normally flammable surface

 2 x 22 W E-27


 2 x 8 W E-27 LED

Voltage: 230V~50Hz

 1 Box 87 x 88 x 141 cm

Vol.: 1,0795 m³ Weight: 17,04 kg

Certifications:   IP-55

 Photometrics made according to the position the lights are shown in the catalogue and price list.

Ref Finishings

3350230001 Natural White

3350230003 Brown Graphite

P-801 Ivory White

P-802 Brown

All Bover's synthetic fiber collection are recyclable and non-toxic for environmental sustainability.

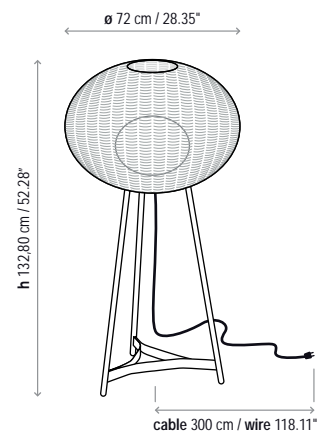
Stainless steel structure, cataphoresis treatment and outdoor paint.

Consult for floor fastening options

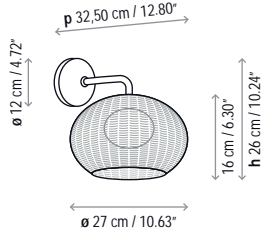
Height non customizable

Not Customizable

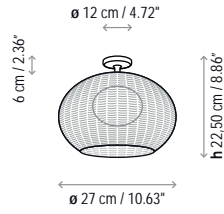
Measures



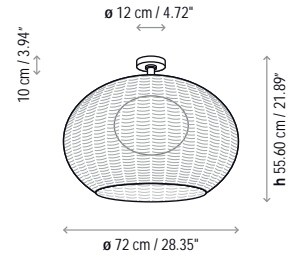
Garota - A / 01



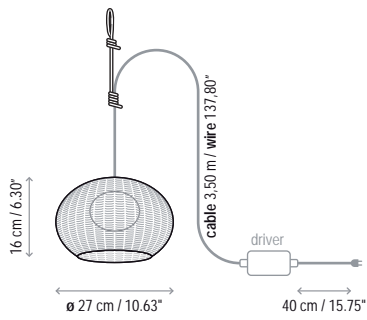
Garota - PF / 01



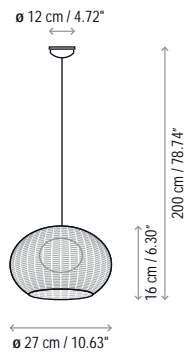
Garota - PF / 02



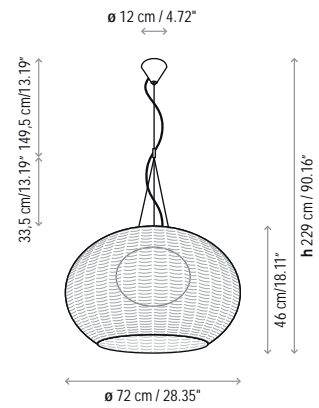
Garota - Hang



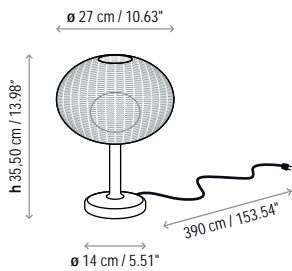
Garota - S / 01



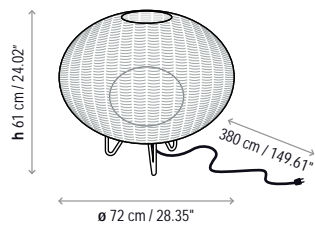
Garota - S / 02



Garota - Mini



Garota - P / 01



Garota - P / 02

