

Name: Mei - 150

Design: Joana Bover / 2004

Typology: Pendant lamp

Environment: Indoor

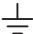







Technical description:

Pendant lamp providing diffuser light through a translucent shade of hand wrapped polyester blend ribbon. The iron structure is available in three metallic finishes, and the ribbon is available in 4 standard colors. For special ribbon colors please consult. The electrical wiring is transparent; the canopy is a flat disc. Lower PVC diffuser is included.

Tensor wire is available in 1.5, 3 and 5 meters. The Mei Collection is customizable.



Lamps description

-  Grounding: compulsory
-  Ready for mounting on normally flammable surface
-  6 x 77 W Classic A Eco E-27
-  6 x 30 W E-27
- Voltage: 230V~50Hz
-  1 Box 157 x 157 x 77 cm
- Vol.: 1,8980 m³
- Weight: 25 kg
- Certifications:  
-  Photometrics made according to the position the lights are shown in the catalogue and price list.

Ref Finishings

4619903	Brown Iron
4619904	Black Iron
4619905	Satin Nickel
Lampshade 150 X 70 X 59 cm	
P-590C	White Translucent Ribbon
P-591C	Cream Translucent Ribbon
P-592C	Red Translucent Ribbon
P-593C	Black Translucent Ribbon

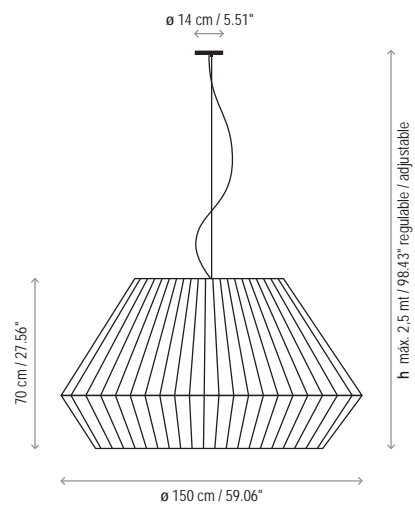
Diffuser included

Transparent connection

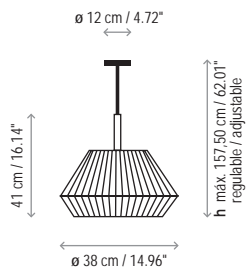
Porcelain lampholders

Customizable

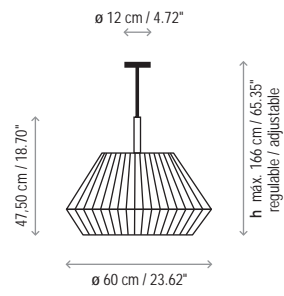
Measures



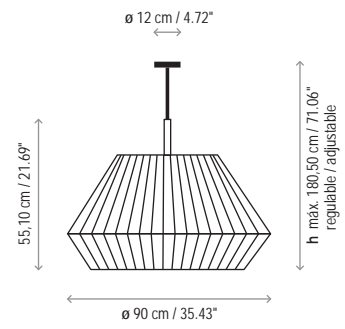
Mei - 38



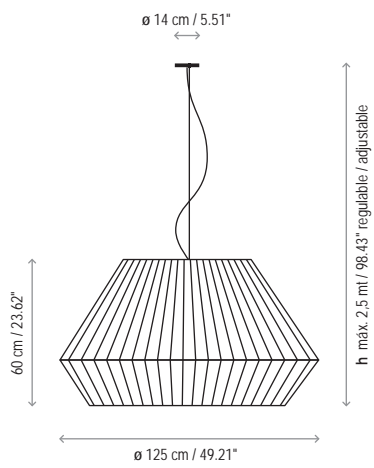
Mei - 60



Mei - 90



Mei - 125



Mei - 150

