

Name: MEI - 125

Design: Joana Bover / 2004

Typology: Pendant lamp

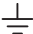







Environment: Indoor

Technical description:

Pendant lamp providing diffuser light through a translucent shade of hand wrapped polyester blend ribbon. The iron structure is available in three metallic finishes, and the ribbon is available in 4 standard colors. For special ribbon colors please consult. The electrical wiring is transparent; the canopy is a flat disc. Lower PVC diffuser is included. Tensor wire is available in 1.5, 3 and 5 meters. The Mei Collection is customizable.



Lamps description

-  Grounding: compulsory
-  Ready for mounting on normally flammable surface
-  5 x 77 W Classic A Eco E-27
-  5 x 22 W E-27
- Voltage: 230V~50Hz
-  1 Box 135 x 135 x 70 cm
- Vol.: 1,2758 m³
- Weight: 22 kg
- Certifications:  
-  Photometrics made according to the position the lights are shown in the catalogue and price list.

Ref Finishings

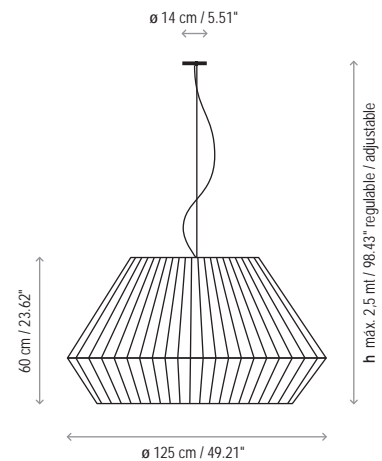
4719903	Brown Iron
4719904	Black Iron
4719905	Satin Nickel
Lampshade 125 x 60 x 48 cm	
P-720C	White Translucent Ribbon
P-721C	Cream Translucent Ribbon
P-722C	Red Translucent Ribbon
P-723C	Black Translucent Ribbon

Diffuser included

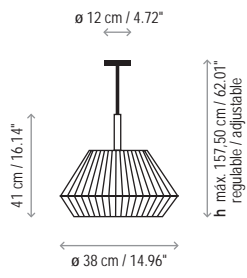
Transparent connection

Customizable

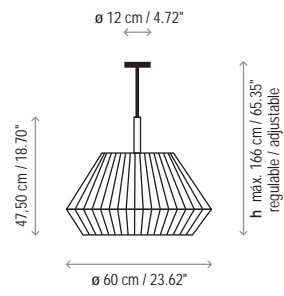
Measures



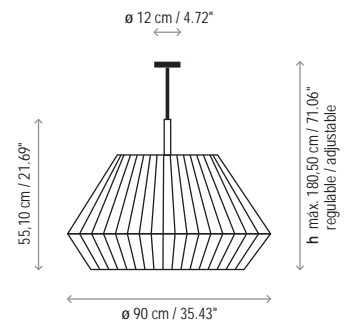
Mei - 38



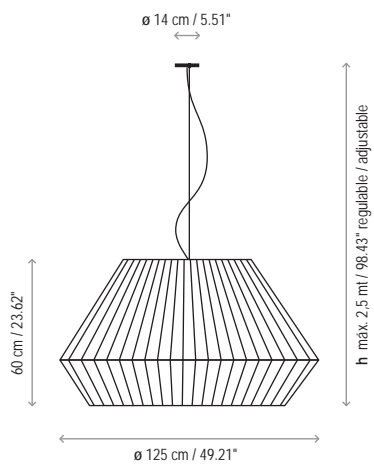
Mei - 60



Mei - 90



Mei - 125



Mei - 150

