

Name: Mei - 90

Design: Joana Bover / 2004

Typology: Pendant lamp

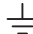






Environment: Indoor

Technical description:

Pendent lamp providing diffused light through a translucent shade of hand wrapped polyester blend ribbon. The canopy is available in brown or black, as well as a satin nickel finish. The electrical connection is transparent. PVC diffuser is included.



Lamps description

-  Grounding: compulsory
-  Ready for mounting on normally flammable surface
-  3 x 77 W Classic A Eco E-27
-  3 x 22 W E-27
- Voltage: 230V~50Hz
-  1 Box 95 x 95 x 45 cm
- Vol.: 0,4061 m<sup>3</sup>
- Weight: 8 kg
- Certifications:  
-  Photometrics made according to the position the lights are shown in the catalogue and price list.

Ref      Finishings

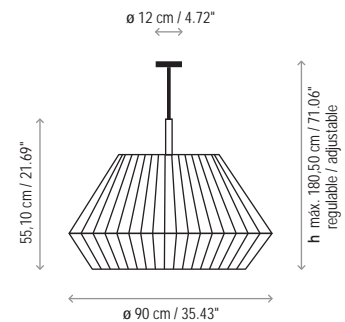
4419903	Brown Iron
4419904	Black Iron
4419905	Satin Nickel
Lampshade 80 x 41,50 x 35 cm	
P-490C	White Translucent Ribbon
P-491C	Cream Translucent Ribbon
P-492C	Red Translucent Ribbon
P-493C	Black Translucent Ribbon

Diffuser included

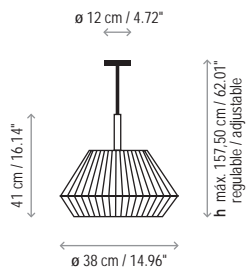
Transparent connection

Customizable

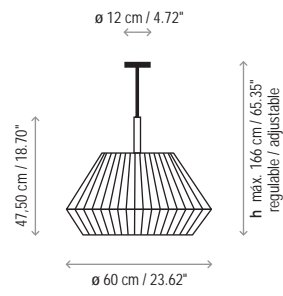
Measures



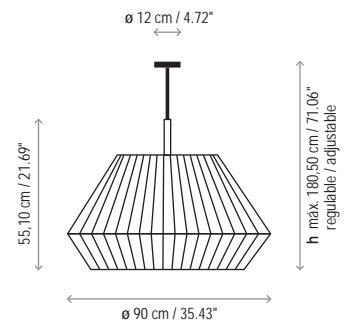
Mei - 38



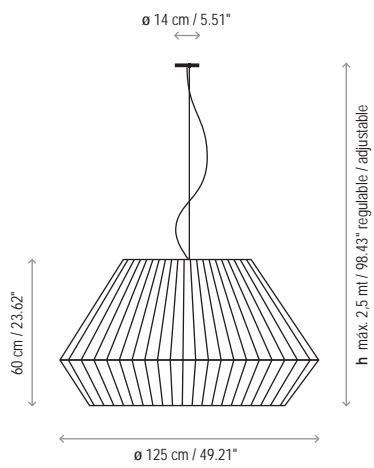
Mei - 60



Mei - 90



Mei - 125



Mei - 150

