

Name: Mei - 60

Design: Joana Bover / 2004

Typology: Pendant lamp









Environment: Indoor

Technical description:

Pendant lamp providing diffused light through a translucent shade of hand wrapped polyester blend ribbon. The iron frame is available in brown or black, as well as a satin nickel finish. The electrical connection is transparent. PVC diffuser is included. Available in smaller and larger formats.



Lamps description

-  Grounding: excluded
-  Ready for mounting on normally flammable surface
-  1 x 77 W Classic A Eco E-27
-  1 x 18 W E-27
- Voltage: 230V~50Hz
-  1 Box 60 x 60 x 40 cm
- Vol.: 0,1440 m<sup>3</sup>
- Weight: 4 kg
- Certifications:  
-  Photometrics made according to the position the lights are shown in the catalogue and price list.

Ref                      Finishings

- 4119903    Brown Iron
- 4119904    Black Iron
- 4119905    Satin Nickel

Lampshade 50 x 31 x 30 cm

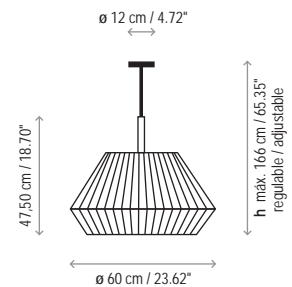
- P-496C    Black Translucent Ribbon
- P-501C    Red Translucent Ribbon
- P-502C    Cream Translucent Ribbon
- P-503C    White Translucent Ribbon

Diffuser included

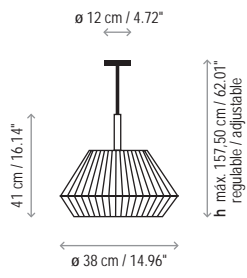
Transparent connection

Customizable

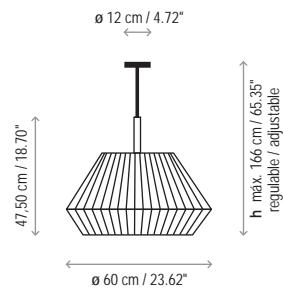
Measures



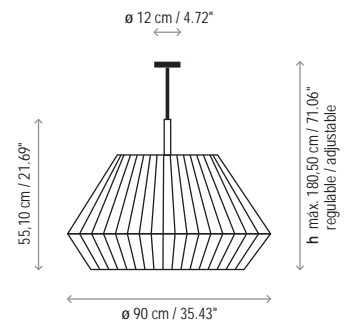
Mei - 38



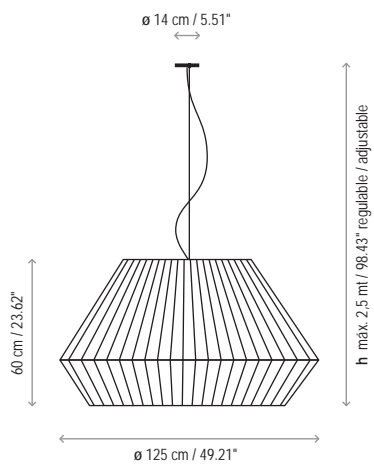
Mei - 60



Mei - 90



Mei - 125



Mei - 150

