

Name: Mei - 38

Design: Joana Bover / 2004

Typology: Pendant lamp








Environment: Indoor

Technical description:

Pendant lamp providing diffused light through a translucent shade of hand wrapped polyester blend ribbon. The iron frame is available in brown or black, as well as a satin nickel finish. Height can be easily adjusted via tensor wires. The electrical connection is transparent. PVC diffuser is included. Available in larger formats.



Lamps description

- Grounding: excluded
-  Ready for mounting on normally flammable surface
-  1 x 46 W Classic P Eco E-27
-  1 x 11 W E-27
- Voltage: 230V~50Hz
-  1 Box 40 x 40 x 25 cm
- Vol.: 0,04 m³
- Weight: 2 kg
- Certifications:  
-  Photometrics made according to the position the lights are shown in the catalogue and price list.

Ref Finishings

- 4219903 Brown Iron
- 4219904 Black Iron
- 4219905 Satin Nickel

Lampshade 32 x 19 x 20 cm

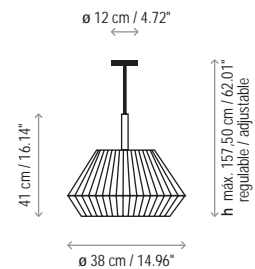
- P-495C Red Translucent Ribbon
- P-504C Cream Translucent Ribbon
- P-505C White Translucent Ribbon

Diffuser included

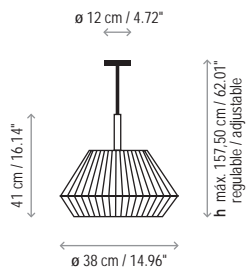
Transparent connection

Customizable

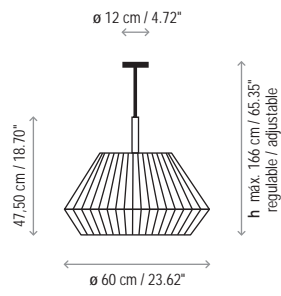
Measures



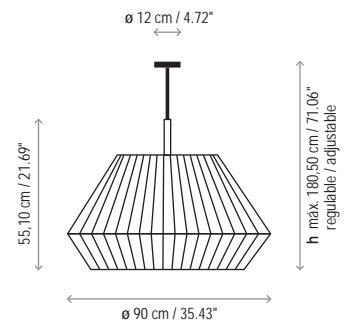
Mei - 38



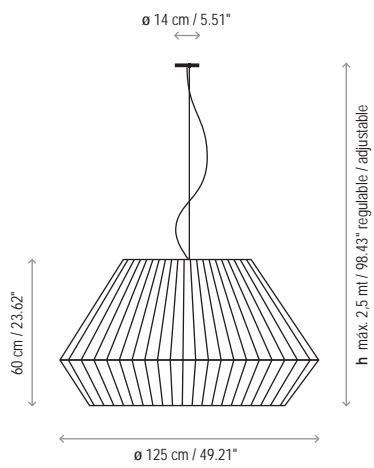
Mei - 60



Mei - 90



Mei - 125



Mei - 150

