

Name: Lua - 2 Luces

Design: Joana Bover / 2002

Typology: Pendant lamp

Environment: Indoor

Technical description:





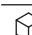



Pendant lamp with extendable structure in black iron, satin nickel, nickel with dark leather, or nickel with caramel leather.

Diffused light through twin shades cotton, or hand wrapped polyester ribbon in either white or cream.

Upper diffusers included.

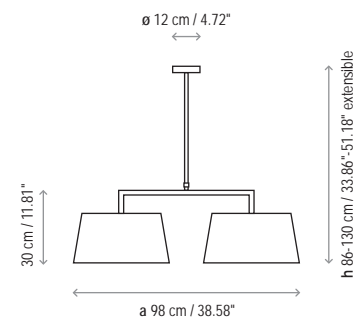


Lamps description

	Grounding: compulsory
	Ready for mounting on normally flammable surface
	2 x 77 W Classic A Eco E-27
	2 x 18 W E-27
Voltage: 230V~50Hz	
	1 Box 67 x 67 x 27 cm
Vol.: 0,1212 m <sup>3</sup>	
Weight: 5 kg	
Certifications:  	
	Photometrics made according to the position the lights are shown in the catalogue and price list.

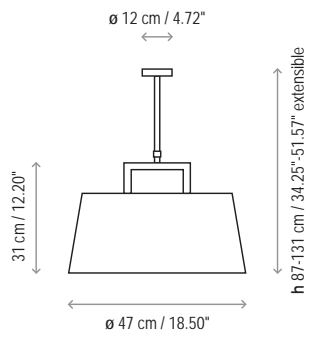
Ref	Finishings
4222904	Black Iron
4222905	Satin Nickel
4222960	Nickel Dark Leather
4222961	Nickel Caramel Leather
Lampshade 38 X 20 X 30 Cm	
P-163C	Cotton
P-167C	Cream Translucent Ribbon
P-168C	White Translucent Ribbon
The shade includes upper diffuser	
Customizable	

Measures



### Lua - 1 Luz

---



### Lua - 2 Luces

---

