

Name: ELEA - 55

Design: Joana Bover / 2013

Typology: Pendant lamp

Environment: Indoor

Technical description:

Polyurethane, circular pendant with a brilliant lacquer finish. Optical glass upper and lower diffusers are included. Upper glass diffuser has four decorative vents that stylishly maximize light diffusion. Canopy is cone-shaped, with custom drop capabilities. Available in two standard sizes, with three color options.

Elea is not a customizable product. For special finishings the RAL number is needed, and the minimum quantity is 3 units.

Lamps description



Grounding: excluded



Ready for mounting on normally flammable surface



4 x 46 W Classic P Eco E-27



4 x 22 W E-27

Voltage: 230V~50Hz



1 Box 67 x 67 x 25 cm

Vol.: 0,1122 m³

Weight: 9 kg

Certifications:



Photometrics made according to the position the lights are shown in the catalogue and price list.

Ref Finishings

410232401 White Brilliant Lacquer

410232422 Red Brilliant Lacquer

410232423 Black Brilliant Lacquer

Finishing: Brilliant lacquer finish

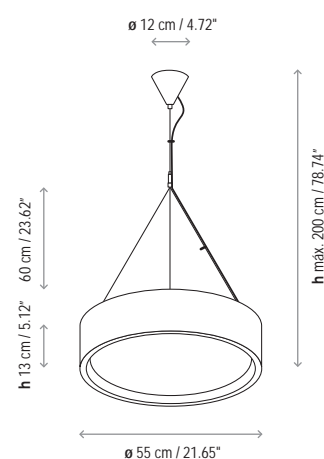
Material: Polyurethane

Optical glass diffuser

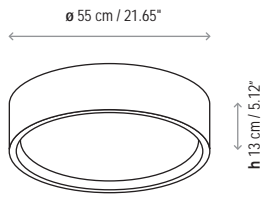
Not Customizable



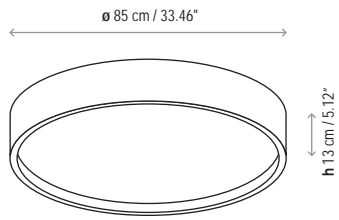
Measures



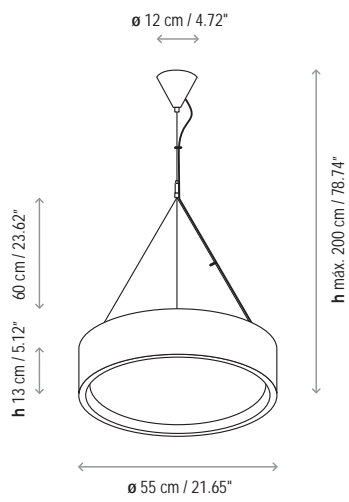
Elea - 55



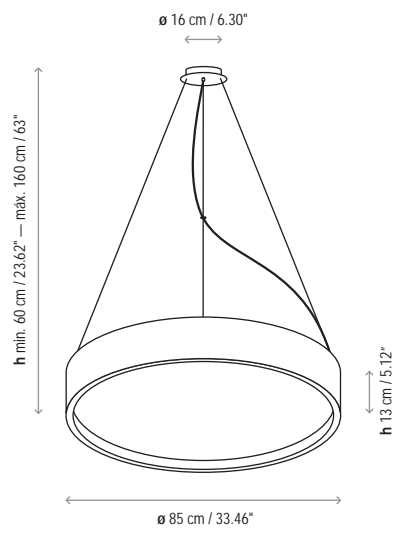
Elea - 85



Elea - 55



Elea - 85



Elea - LP 95

