

Name: Elea - 55

Design: Joana Bover / 2013

Typology: Ceiling lamp

Environment: Indoor

Technical description:

Polyurethane, circular ceiling mount finished in brilliant lacquer with optical glass lower diffuser. Available in two ceiling sizes, and also as a pendant fixture. Direct wire electrical connection.

Elea is not a customizable product. For special finishings the RAL number is needed, and the minimum quantity is 3 units.

Lamps description



Grounding: excluded



Ready for mounting on normally flammable surface



4 x 22 W E-27

Voltage: 230V~50Hz



1 Box 67 x 67 x 25 cm

Vol.: 0,1122 m³

Weight: 8 kg

Certifications:  



Photometrics made according to the position the lights are shown in the catalogue and price list.

Ref Finishings

510232401 White Brilliant Lacquer

510232422 Red Brilliant Lacquer

510232423 Black Brilliant Lacquer

Finishing: Brilliant lacquer finish

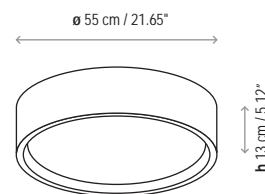
Material: Polyurethane

Optical glass diffuser

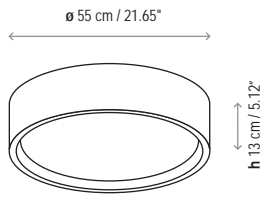
Not Customizable



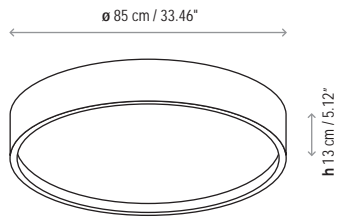
Measures



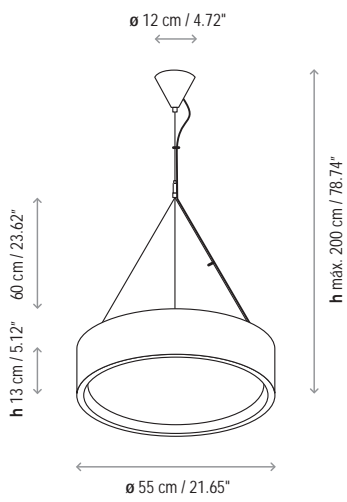
Elea - 55



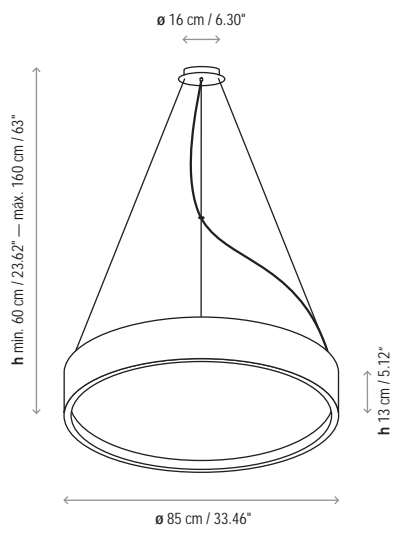
Elea - 85



Elea - 55



Elea - 85



Elea - LP 95

