

Name: Siam - 4 Luces

Design: Joana Bover / 2010

Typology: Pendant lamp

Environment: Indoor

Technical description:

Ceiling lamp providing diffused light through a translucent shade composed of hand wrapped polyester blend ribbon, with structure finished in satin nickel or white. Ribbon colors are available in white, cream and red. Frosted white injection-mold methacrylate diffuser is included. The Siam limbs can be adjusted and moved to create stylish combinations according to the clients' needs. Horizontal arms can be adjusted into the desired position and then locked to prevent movement.



Lamps description



Grounding: compulsory



Ready for mounting on normally flammable surface



12 x 22 W E-27

Voltage: 230V~50Hz



1 Box 105 x 95 x 125 cm

Vol.: 1,2469 m³

Weight: 40 kg

Certifications:  



Photometrics made according to the position the lights are shown in the catalogue and price list.

Ref Finishings

4432005 Satin Nickel

4432001 White 9010

Lampshade: 80 x 18 cm (x4 units)

P-686C White Translucent Ribbon

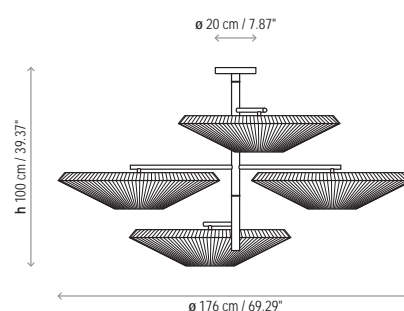
P-687C Cream Translucent Ribbon

P-688C Red Translucent Ribbon

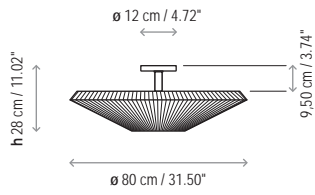
Horizontal arms can be adjusted into the desired position and then locked to prevent movement.

Customizable

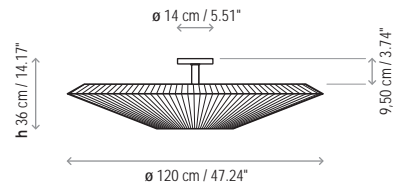
Measures



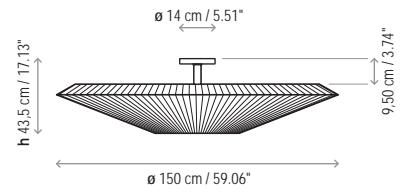
Siam - 80



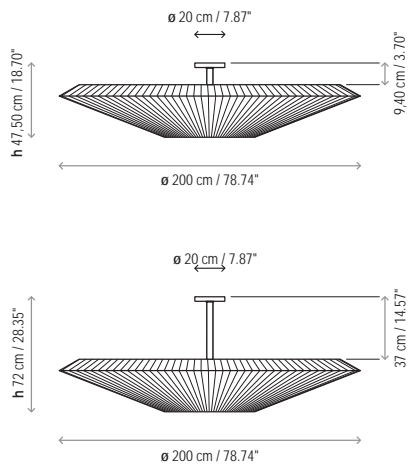
Siam - 120



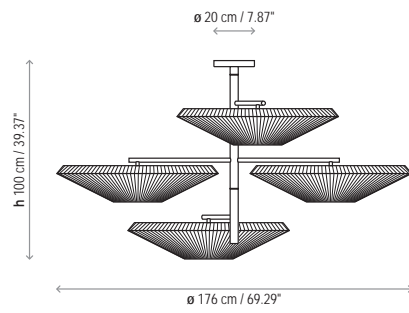
Siam - 150



Siam - 200



Siam - 4 Luces



Siam - 6 Luces

