

Name: Urban - 60

Design: Joana Bover / 2011

Typology: Ceiling lamp

Environment: Indoor

Technical description:

Ceiling lamp with frame, coated in brilliant chrome and hand wrapped with translucent, polyester blend ribbon in cream, white or red. Crystal diffuser is included with fixture. Available in smaller and larger format.



Lamps description


 Grounding: excluded

 Ready for mounting on normally flammable surface

 4 x 46 W Classic P Eco E-27

 4 x 22 W E-27


Voltage: 230V~50Hz

 1 Box 65 x 65 x 25 cm

Vol.: 0,1056 m³

Weight: 8 kg

Certifications:  

 Photometrics made according to the position the lights are shown in the catalogue and price list.

Ref Finishings

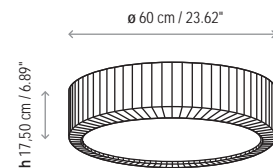
0232506B Chrome
White Translucent Ribbon

0232506C Chrome
Cream Translucent Ribbon

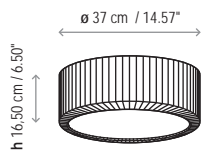
0232506R Chrome
Red Translucent Ribbon

Customizable

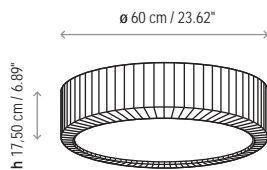
Measures



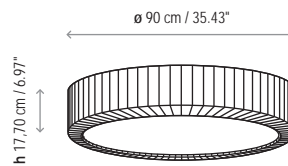
Urban - 37



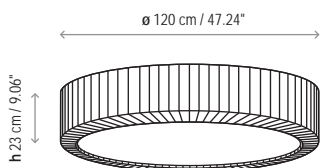
Urban - 60



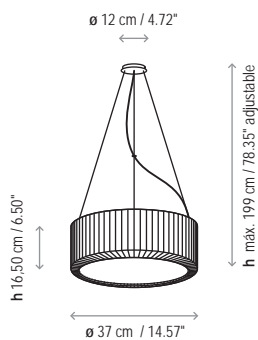
Urban - 90



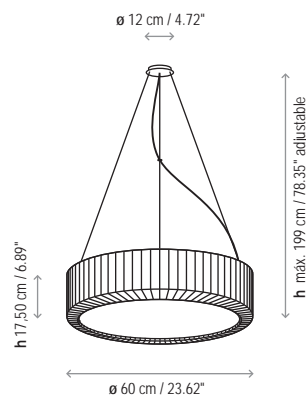
Urban - 120



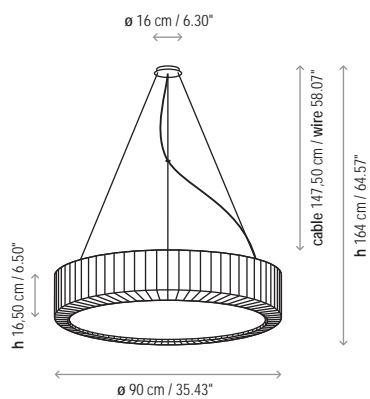
Urban - 37



Urban - 60



Urban - 90



Urban - 120

