

Name: Danona - Mesa

Design: Joana Bover / 2002

Typology: Table lamp

Environment: Indoor

Technical description:

Table lamp with iron structure available in satin nickel, nickel with dark leather trim and nickel with light leather trim finishing. Lampshade available in cotton and white or cream translucent polyester blend hand wrapped ribbon. Includes a methacrylate diffuser.



Lamps description



Grounding: excluded



1 x 46 W Classic P Eco E-27



1 x 11 W E-27

Voltage: 230V~50Hz



1 Box 65 x 65 x 25 cm

Vol.: 0,1056 m³

Weight: 3 kg

Certifications:  



Photometrics made according to the position the lights are shown in the catalogue and price list.

Ref Finishings

2123105 Satin Nickel

2123160 Nickel Dark Leather

2123161 Nickel Caramel Leather

Lampshade 27 X 18 X 27 Cm

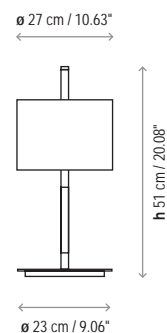
P-227 Cotton

P-005 Cream Translucent Ribbon

P-006 White Translucent Ribbon

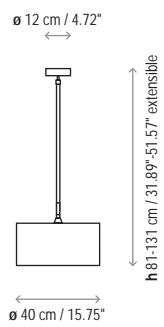
Lampshade components and methacrylate diffuser included

Measures

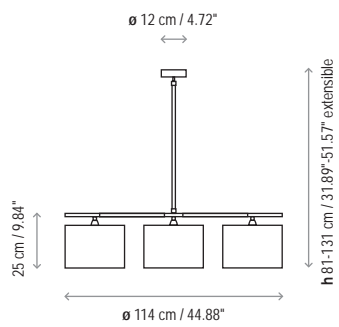


Customizable

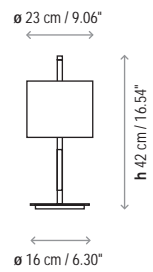
Danona - 1 Luz



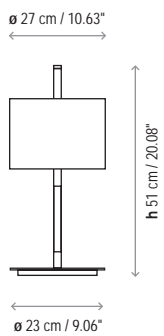
Danona - 3 Luces



Danona - Mini



Danona - Mesa



Danona - Pie

