

Name: Carlota - G FL

Design: Joana Bover / 2003






Typology: Wall lamp

Environment: Indoor


Technical description:

Wall lamp with brass structure coated in satin nickel, brilliant chrome, nickel with dark leather trim, or nickel with light caramel leather trim finishing. Square shaped lamp shade is available in cotton and white or cream translucent, hand wrapped polyester blend ribbon. The Carlota features a swivel arm that allows for easy, swift movement, as well as a brass Flexo arm with a 1.2W LED bulb. Switch is mounted on base plate, and offers three positions allowing for LED to be turned on only when main lamp is turned off. Also available in smaller size.

Lamps description

	Grounding: excluded
	Ready for mounting on normally flammable surface
	1 x 46 W Classic P Eco E-27
	1 x 11 W E-27
	1 x 1.2 W LED Led: 1.2W Optics: 45° Lumens: 85 lm Degrees Kelvin: 2900° CRI: 90


Voltage: 230V~50Hz

 1 Box 45 x 45 x 35 cm

Vol.: 0,0709 m³

Weight: 2 kg

Certifications:  

 Photometrics made according to the position the lights are shown in the catalogue and price list.

Ref Finishings

F524005 Satin Nickel

F524006 Brilliant Chrome

F524060 Nickel Dark Leather

F524061 Nickel Caramel Leather

Lampshade 23 X 17 X 12 cm

P-487 Cotton

P-486 White Translucent Ribbon

P-489 Cream Translucent Ribbon

Surface back box 11 x 15 cm

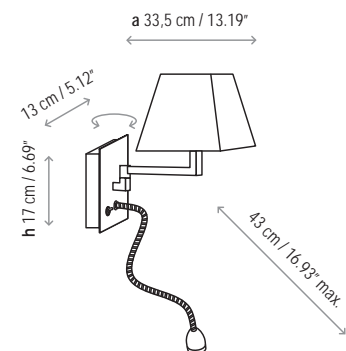
Swivel arm / Brass-raw material

Flexo made in brass to ensure greater flexibility and rigidity.

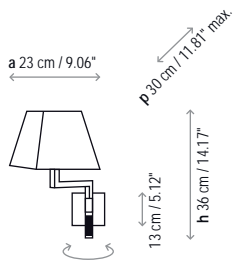
Customizable



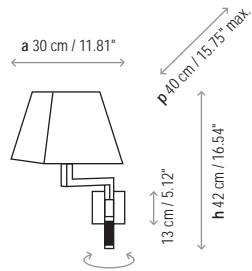
Measures



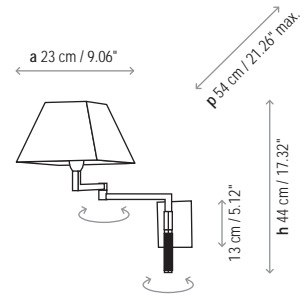
Carlota - A



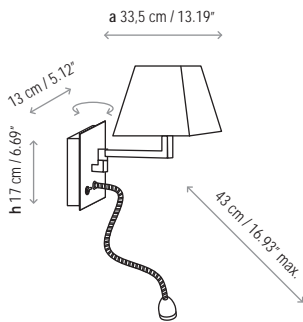
Carlota - G



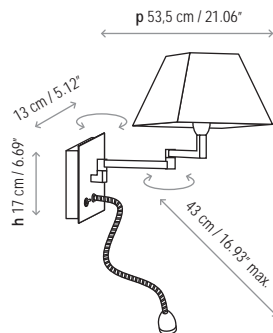
Carlota Doble Articulado



Carlota - G FL



Carlota Doble FL



Carlota - T



Carlota - Pie

