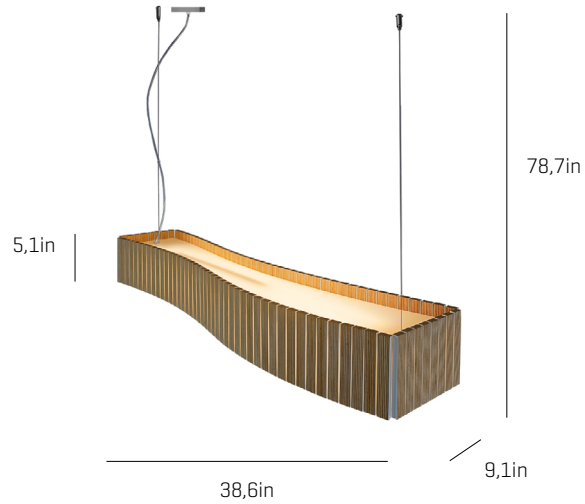


Uxi

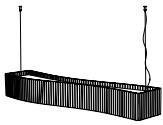
ref. **UX04**

Pendant lamp

[Click here to download:](#)
3D/2D, pictures, photometric curves
and assembly instructions



Uxi Collection



UX04



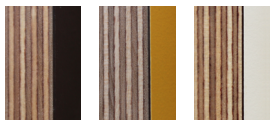
UX06

MATERIAL FINISHES

LAMPSHADE

Plywood

One color to choose



Top and bottom diffuser

CANOPY AND CABLE

Stainless steel

Black or transparent cable

LIGHT SOURCE

120V - 60Hz

⇔ T5 HO Bi-pin - 2x39 W

OTHER TECHNICAL DATA

PACKAGING

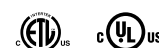
43,3x12,2x9,8in

17lb

ELECTRICAL FEATURES



CERTIFICATIONS



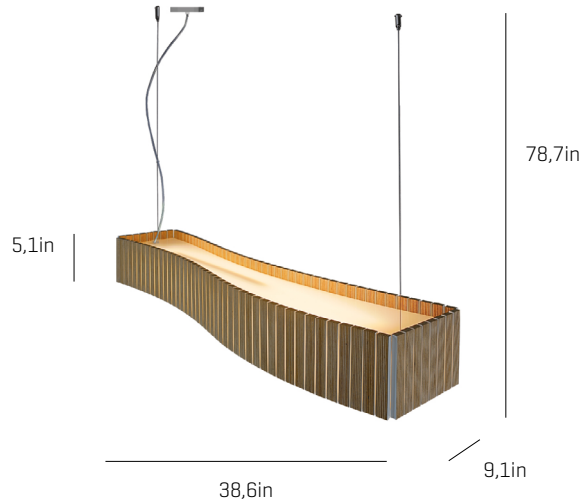
Uxi

ref. **UX04-D**

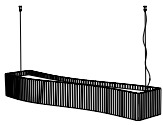
DIMMABLE

Pendant lamp

[Click here to download:](#)
3D/2D, pictures, photometric curves
and assembly instructions



Uxi Collection



UX04



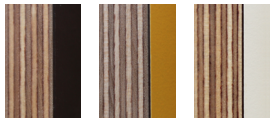
UX06

MATERIAL FINISHES

LAMPSHADE

Plywood

One color to choose



Top and bottom diffuser

CANOPY AND CABLE

Stainless steel

Black or transparent cable

LIGHT SOURCE

120V - 60Hz

↔ T5 HO Bi-pin - 2x39 W

Dimming system: 0-10V

OTHER TECHNICAL DATA

PACKAGING

43,3x12,2x9,8in

17lb

ELECTRICAL FEATURES



CERTIFICATIONS

