

PRODUCT DATA SHEET

Mercury Ceiling



DESIGN BY:

Ross Lovegrove
2007

MATERIALS:

Aluminium, ABS, steel

DESCRIPTION:

Lamp available in the suspension and ceiling versions. "A ceiling fixture that places a floating assembly of large pebbles below a simple modern aluminium disc. These in turn reflect each other bouncing light between their taugth bio - morphic surfaces and reflecting the environment around them. During the day the piece acts as a sculptural object reflecting the dynamics of natural light and the movement of people around them. Die-cast aluminium lighting units; reflective units made of injection-moulded thermoplastic material with metallic finish; die-cast aluminium reflector.

SELECT

EXTRA HALO / LED

Polished chrome

PRODUCT CODE

1396110A

Light emission



IP20

Dimmable

TECHNICAL DATA SHEET

FEATURES

Product name:	Mercury Ceiling
Article Code:	1396110A
Colour:	Polished chrome
Material:	Aluminium, ABS, steel
Series:	Design, Hydro
Environment:	Indoor
Area contract:	Hospitality Hotel, Office, Private Residence

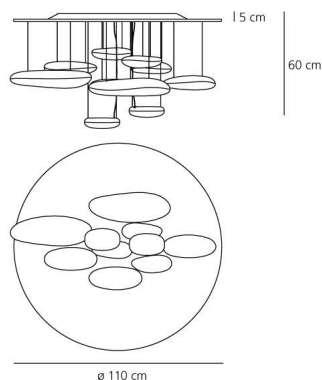
OPTICS

Emission:	Indirect
-----------	----------

DIMENSIONS

Height:	inch 23.6
Diameter:	inch 43.3
Glow Wire Test:	960 °

DIMENSIONS



LAMPS NOT INCLUDED

Category:	HALO
Number:	2
Lbs:	Qt-de12
Watt:	160W
Socket:	R7s
Type:	Hdg
Luminous Flux (lm):	3300lm
Colour Rendering:	1a
Colour temperature (K):	2950K
Duration (h):	2000h

COLOUR



ALTERNATIVE LAMPS

LED retrofit

Category:	LED
Watt:	11w
Luminous Flux (lm):	1110lm
Socket:	R7s
Class:	A

Watt:	2x160W
Voltage:	220V-240V
Luminous Flux (lm):	6600lm
CCT:	2950K

AWARDS

2008 – Good Design Award The Chicago Atheneum, Chicago (US)