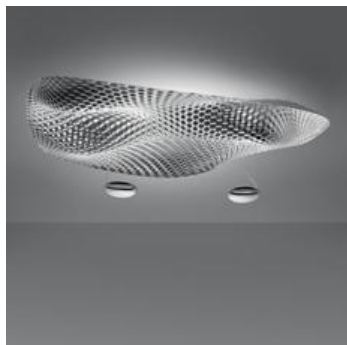


## PRODUCT DATA SHEET

### Cosmic Angel Ceiling



#### DESIGN BY:

Ross Lovegrove  
2009

#### MATERIALS:

ABS, aluminium

#### DESCRIPTION:

"My concept way to freeze a moment that seemed to be created by air rolling over a thin sheet, achieving a very natural flow and rhythm in the lightweight sculptural skin. Ultimately it appears to be suspended in anti gravity on a cushion of air...like the cosmos in the complex forms and geometries that seem to defy explanation and create a sense of infinity." Materials: body lamp - reflector made of thermoplastic material; die-cast aluminium lighting units; upper diffuser in opal methacrylate.

#### SELECT

FLUO - EXTRA HALO / LED

Polished chrome

#### PRODUCT CODE

1516010A

#### Light emission



IP20    

#### Dimmable

#### TECHNICAL DATA SHEET

#### FEATURES

Product name:	Cosmic Angel Ceiling
Article Code:	1516010A
Colour:	Polished chrome
Material:	ABS, aluminium
Series:	Design, Hydro
Environment:	Indoor

#### OPTICS

Emission:	Indirect
-----------	----------

#### DIMENSIONS

Length:	inch 70.1
Width:	inch 31.5
Height:	inch 25.2
Impact Resistance:	N/D
Glow Wire Test:	N/D °

#### LAMPS INCLUDED

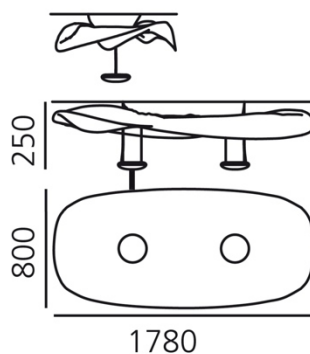
Category:	FLUO
Number:	2
Lbs:	TC-LEL(G11)
Watt:	55W
Socket:	2G11
Type:	FSDH
Colour Rendering:	85
Colour temperature (K):	3000K
Duration (h):	12000h

#### LAMPS NOT INCLUDED

Category:	HALO
Number:	2
Lbs:	Qt-de12
Watt:	400W
Socket:	R7s
Type:	Hdg
Luminous Flux (lm):	9000lm
Colour Rendering:	1a
Colour temperature (K):	2950K

#### ALTERNATIVE LAMPS

#### DIMENSIONS



#### COLOUR



LED

Category: LED  
Watt: 11W  
Socket: R7s  
Class: A

**LUMINAIR**

Watt: 800W + 110W  
Voltage: 220V-240V  
Luminous Flux (lm): 18000+9600lm  
CCT: 2950+3000K