

PRODUCT DATA SHEET

Pirce Suspension LED 3000K Gold


DESIGN BY:

Giuseppe Maurizio Scutellà
2012

MATERIALS:

Aluminum

DESCRIPTION:

Suspension lamp in painted aluminium. Opening out of a slim disk are fluttering spirals, which fall gently downwards, creating magical effects of form and light.

Lamp included.

SELECT

PRODUCT CODE

1254120A

Light emission


IP20

Dimmable

TECHNICAL DATA SHEET
FEATURES

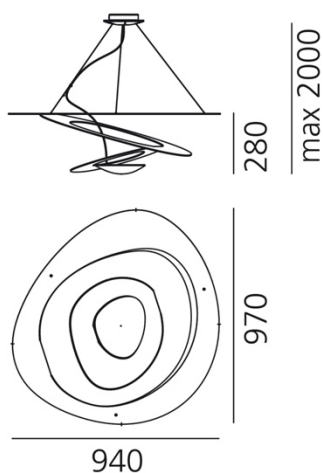
| | |
|----------------|------------------------------------|
| Product name: | Pirce Suspension LED 3000K Gold |
| Article Code: | 1254120A |
| Colour: | Gold |
| Material: | Aluminum |
| Series: | Design |
| Environment: | Indoor |
| Area contract: | Private Residence |

OPTICS

| | |
|-----------|----------|
| Emission: | Indirect |
|-----------|----------|

DIMENSIONS

| | |
|--------------------------|-----------|
| Length: | inch 37 |
| Width: | inch 38.2 |
| Height: | inch 11 |
| Max Height from ceiling: | inch 78.7 |
| Glow Wire Test: | 650 ° |

DIMENSIONS

LAMPS INCLUDED

| | |
|------------------------|---------|
| Category: | LED COB |
| Number: | 1 |
| Watt: | 44W |
| Color temperature (K): | 3000K |
| Class: | A |

COLOUR

LUMINAIR

| | |
|---------------------|-----------|
| Watt: | 44W |
| Voltage: | 220V-240V |
| Luminous Flux (lm): | 3313lm |
| CCT: | 3000K |
| Efficiency: | 82% |
| Efficacy: | 75.30lm/W |
| CRI: | 90 |
| Dimmable Typology: | Push |

AWARDS

_2010 iF Produkt Design Award Hannover (Deutschland) _2008 Good Design
Award The Chicago Atheneum Chicago (US)