

## PRODUCT DATA SHEET

### Pirce Suspension LED 2700K White


**DESIGN BY:**

Giuseppe Maurizio Scutellà  
2012

**MATERIALS:**

Aluminum

**DESCRIPTION:**

Suspension lamp in painted aluminium. Opening out of a slim disk are fluttering spirals, which fall gently downwards, creating magical effects of form and light.

Lamp included.

**SELECT**


**PRODUCT CODE**

1254W10A

**Light emission**


IP20

Dimmable

**TECHNICAL DATA SHEET**
**FEATURES**

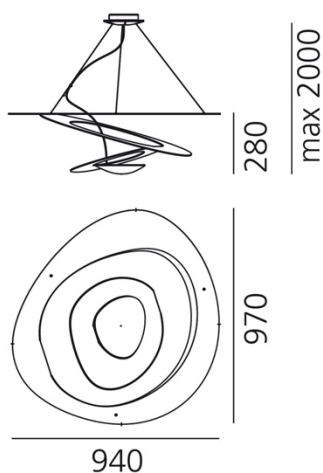
Product name:	Pirce Suspension LED 2700K White
Article Code:	1254W10A
Colour:	White
Material:	Aluminum
Series:	Design
Environment:	Indoor
Area contract:	Private Residence

**OPTICS**

Emission:	Indirect
-----------	----------

**DIMENSIONS**

Length:	inch 37
Width:	inch 38.2
Height:	inch 11
Max Height from ceiling:	inch 78.7
Glow Wire Test:	650 °

**DIMENSIONS**

**LAMPS INCLUDED**

Category:	LED COB
Number:	1
Watt:	44W
Color temperature (K):	2700K
Class:	A

**COLOUR**

**LUMINAIR**

Watt:	44W
Voltage:	220V-240V
Luminous Flux (lm):	3097lm
CCT:	2700K
Efficiency:	82%
Efficacy:	70.39lm/W
CRI:	90
Dimmable Typology:	Push

## AWARDS

\_2010 iF Produkt Design Award Hannover (Deutschland) \_2008 Good Design  
Award The Chicago Atheneum Chicago (US)