



MIST
嵐

Back in centuries, many Chinese poets composed beautiful poems for intriguing mountain scenes. People seem to be close enough to sense clouds and mists when they are on the mountaintop. To perfectly catch the moment, the MIST collection is executed by experienced craftsmen to complete inner- sand-blasting on every piece. There are two different reflections during on and off. Turn the light on, the MIST would calmly illuminate refreshments around you.

山林層巒疊翠·雲霧翻湧而變化於虛無縹緲間的裊繞景象·若能捕捉住·時而欣賞·多麼令人快意！

點綴空間盎然樣的MIST 吊燈·經由老師傅多年經驗操刀·精彩地將大片風景與玻璃交融·似有若無的霧面噴砂處理·自底部雲湧而起·燈亮時的氤氳感·彷彿日出初醒的光絲·瀰漫於雲海間；熄燈時的MIST·恰如朵朵白雲·輕躍天空。



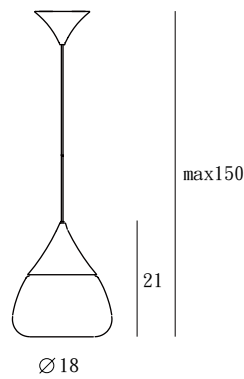
copper / Pendant P & PL



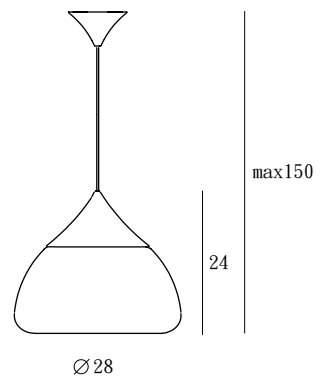
matt brass / Pendant P & PL



chrome / Pendant P & PL



P SQ-8997P



P SQ-8997PL

單位 Measurement: 公分 cm

型號 Model	類型 Type	光源 Bulb/ Illuminant	材質 Materials	尺寸 Size (LxWxH)cm	顏色 Color	特殊性 Feature
SQ-8997P SQ-8997PL	吊燈 Pendant	E27 1 x Max 50W PAR20 / R63 E27 1 x Max 50W PAR20 / R63	鋼、口吹玉玻璃 steel, mouth-blown glass	18 x 18 x 21 28 x 28 x 24	紅銅、霧黃銅、鉻 copper, matt brass, chrome	手工噴砂處理 sand-blasted