

NEMO

CLARITAS

Vico Magistretti

Claritas is the first lamp designed by Vico Magistretti, produced with Mario Tedeschi in 1946. The lamp is made of bent metal tubes, painted in black. Parts of the structure are in chromed metal. Aluminium diffuser painted in black, white in the inner part.



NEMO

CLARITAS

Vico Magistretti

E27 FLUO/HALO/LED

Lamping

Source	E27, A60
Total power	150W
Emission	indirect, orientable
Switching	dimnable according to bulb
Tension	230V
Materials	aluminium + brass

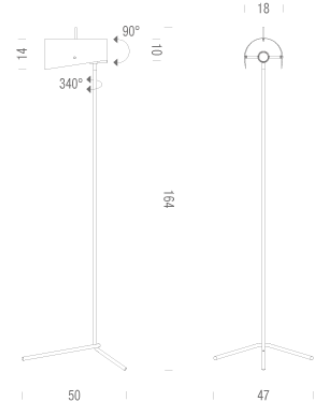
Codes

CLA ENN 21

Structure



Diffuseur



Package

LxPxH (base)	29x29x195
Weight (base)	7,5