

# NEMO

## ALYA

Gabriele Rosa

Light pendant LED lamp with diffused lighting, with 70% uplight and 30% downlight output. Arms in extruded aluminium, central body in die-casted aluminium. Diffuser in opaline methacrylate. Available in white or matt black. Dimmable also with remote control.



# NEMO

## ALYA

Gabriele Rosa

### LED

#### Lamping

Source	linear LED
Total power	35W
Emission	uplight, diffused
Switching	dimmable, push, 1-10V
Tension	110V / 240V
Color temperature	3000K
Luminous flux	4870lm
Typ cri	83
Energy class	A+
Ip class	A
Materials	aluminium + PMMA
Typ cri	83

#### Codes

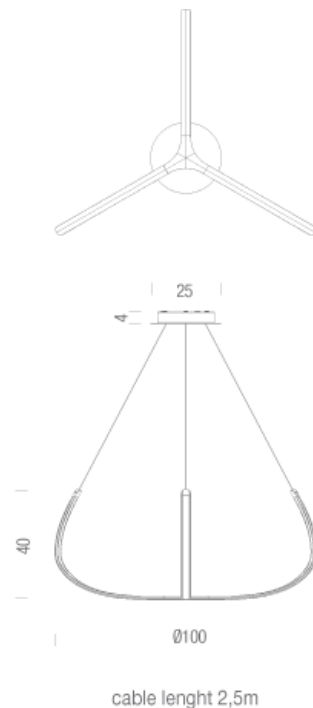
ALY LWW 51

ALY LNN 51

#### Structure



#### Diffuseur



#### Package

LxPxH (base) 16x64x47

Weight (base) 4,5

# NEMO

## ALYA

Gabriele Rosa

### REMOTE CONTROL LED

#### Lamping

Source	linear LED
Total power	35W
Emission	uplight, diffused
Switching	dimnable, push, 1-10V
Tension	110V / 240V
Color temperature	3000K
Luminous flux	4870lm
Typ cri	83
Energy class	A+
Ip class	A
Materials	aluminium + PMMA
Typ cri	83

#### Codes

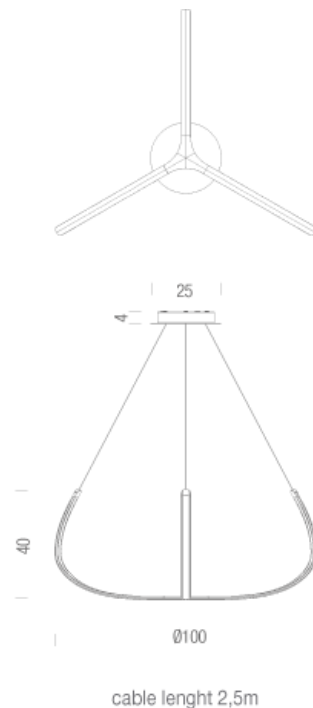
ALY LWW 52

ALY LNN 52

#### Structure



#### Diffuseur



#### Package

LxPxH (base) 16x64x47

Weight (base) 4,5