

NEMO

PIVOTANTE À POSER

Charlotte Perriand

Table lamp with a cylindrical body, open on two sides, on which two diffusers rotate and allow the opening and closure of the lighting beam, in order to adjust the light in a direct or indirect way. Base in steel painted in matt grey, body in rolled metal sheet painted in white, yellow or blue. Switch on cable.



NEMO

PIVOTANTE À POSER

Charlotte Perriand

E27 FLUO/HALO/LED

Lamping

Source	E27, A60
Total power	60W
Emission	orientable
Tension	230V
Ip class	A
Materials	steel + aluminium

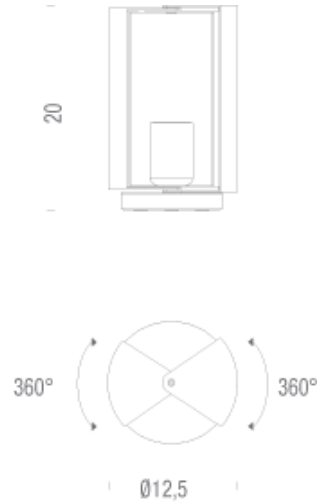
Codes

PAP EDW 11
PAP EDB 11
PAP EDG 11

Structure



Diffuseur



Package

LxPxH (base)	16x16x22
Weight (base)	1,7