

NEMO

COMPACT

NEMO STUDIO

Compact is a ceiling fixture realized in powder-coated aluminium matt painted, white or black. Available for adjustable QR11 LED or halogen sources. Power transformer and drivers are integrated in the lamp body.



NEMO

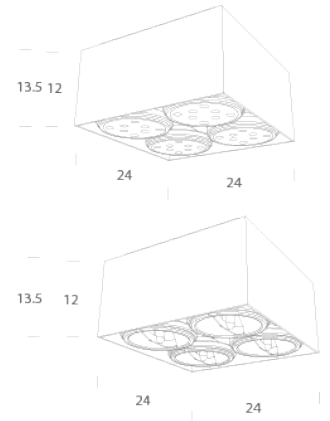
COMPACT

NEMO STUDIO

G53 LED/HALO

Lamping

Source	G53, QR111
Total power	4 x 25W LED/4 x 50W HALO
Emission	direct downlight
Switching	dimmable TRIAC, according to bulb
Tension	220-240V/12V AC
Ip class	O
Dimensions	240x240x135
Materials	Aluminium



Codes

CMP LNN 41
CMP LWW 41

Structure

BLACK
WHITE

Diffuseur

